
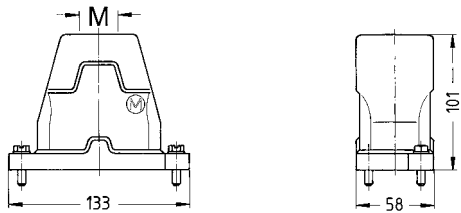

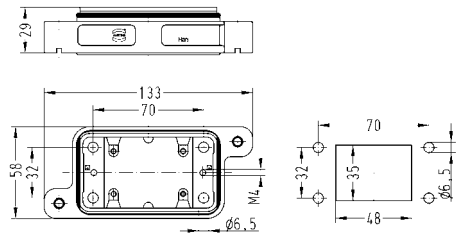

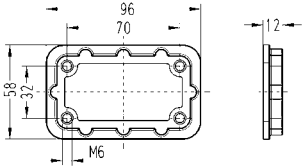


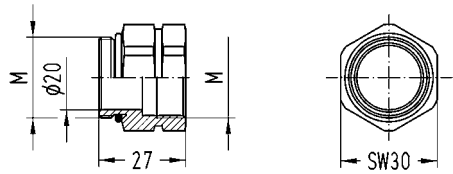
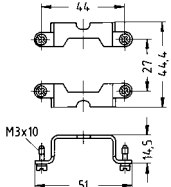


| Identification  | Cable entry            | Size               | Part number  | Drawing<br>Dimensions in mm   |
|---|------------------------|--------------------|--|---|
| <p>Han® HPR,<br/>Hoods,<br/>top entry,<br/>screw locking</p>   | <p>1xM25<br/>1xM32</p> |                    | <p>19 40 006 0411<br/>19 40 006 0412</p>                       |    |
| <p>Han® HPR,<br/>Bulkhead mounted housings,<br/>screw locking</p>   |                        |                    | <p>09 40 006 0311</p>  |   |
| <p>Han® HPR,<br/>Mounting frames</p>   |                        |                    | <p>09 40 000 9901</p>  |    |
| <p>Hexagonal adapter,<br/>with O-ring</p>  <p>to reach the electrical data up to<br/>350 A 4000 V 18 kV 3</p> <p>Frame,<br/>1 pin,<br/>Han® HC Modular 350</p>  |                        | <p>M25<br/>M32</p> | <p>19 36 000 5134<br/>19 36 000 5135</p> <p>09 11 000 9951</p> |   <p>Tightening torque Fixing screws M3: 0.5 Nm</p> |

HC-  
Modular