

THIS DRAWING IS UNPUBLISHED.
VERTRAULICHE UNVERÖFFENTLICHTE ZEICHNUNG

RELEASED FOR PUBLICATION
FREI FUER VERÖFFENTLICHUNG
ALL RIGHTS RESERVED.
ALLE RECHTE VORBEHALTEN

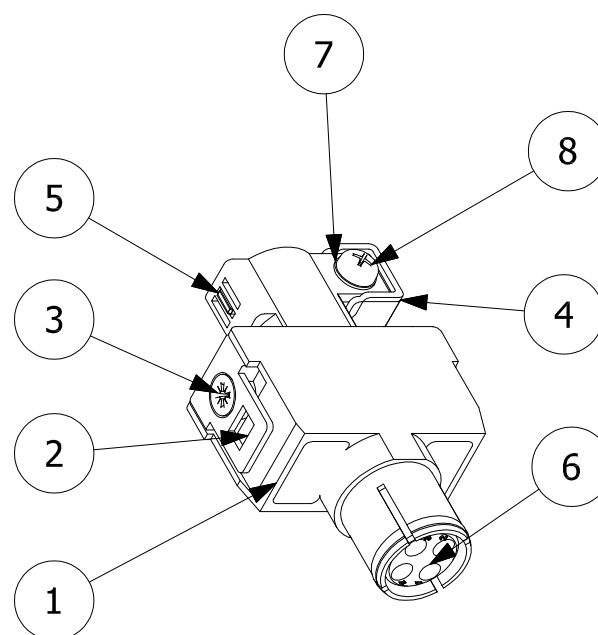
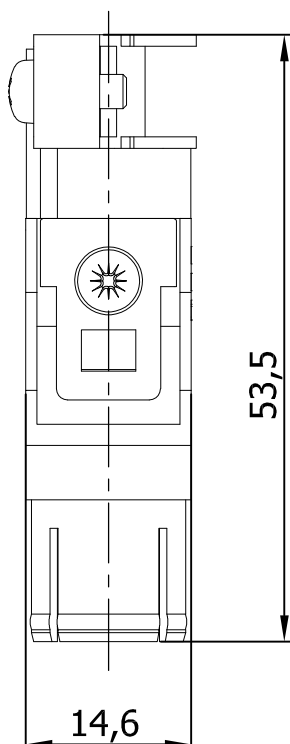
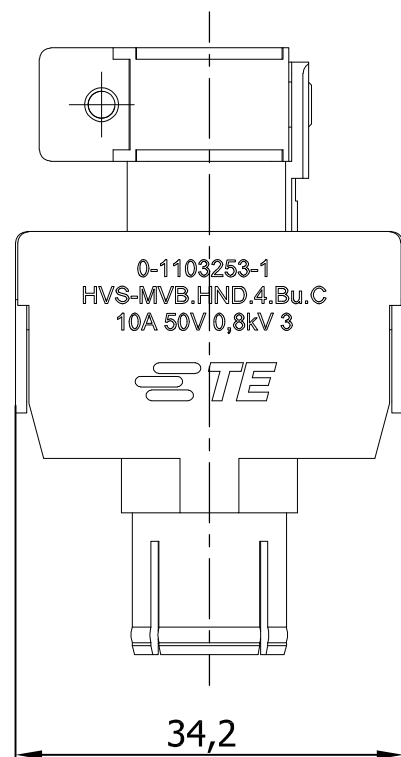
PROJEKT NR. **EGGMN 04410**

REVISIONS
ÄNDERUNGEN

P	LTR	DESCRIPTION BESCHREIBUNG	DATE	DWN	APVD
	A2	MARKING FOR CODING ADDED	ECR-06-022352	08-09-2006	SR AG
	B	ECR-15-007885		14JUL2015	GSK JB

NOTES

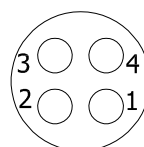
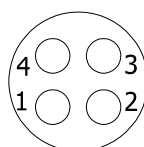
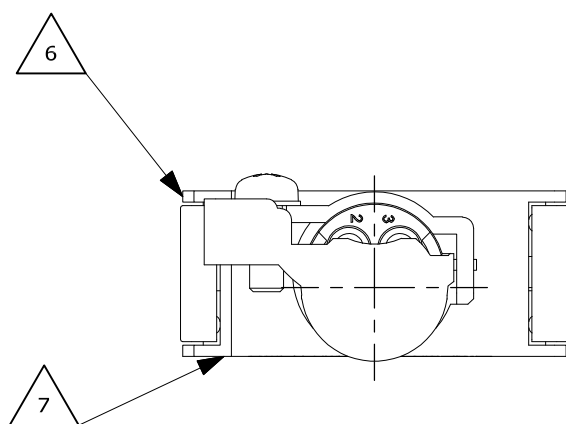
- 1 SUITABLE CRIMP CONTACTS: SERIES HN.D CUSTOMER DRAWING: 1105051
OUTER DIMENSIONS OF INSULATION: MAX. Ø4 MM
- 2 SUITABLE MODULE FIXING FRAME: SERIES HVS SIZE 3 TO 8
CUSTOMER DRAWING: 1103250
- 3 SUITABLE INSERTION TOOL:
CUSTOMER DRAWING: 1102855
- 4 SUITABLE EXTRACTION TOOL:
CUSTOMER DRAWING: 1102855
- 5 STANDARDS:
DIN EN 61984; DIN EN 60664-1
- 6 POLARIZATION RIPS
- 7 MARKING OF POLARIZATION ACCORDING MARKING OF
MODULE FRAME
- 8 PACKAGING:
10 SETS IN A CARTON, PRE-MOUNTED



Contact arrangement

connecting side

termination side



QTY.	DESCRIPTION	MATERIAL	SURFACE	COLOR	NOTE	ITEM
1	SCREW	STEEL	-	-	ISO 7045 A2	8
1	SPRING WASHER, A3	STEEL	ZINC PLATED	-	DIN 137	7
1	CONTACT INSERT FEMALE	PA6.6-GF25	-	BLACK	-	6
1	CLOSING 3-6 MM	ZINC	-	-	-	5
1	CLOSING 6-9 MM	ZINC	-	-	-	4
2	COUNTER SUNK SCREW	Standard	-	-	-	3
2	MOUNTING PLATE	ZINC	-	-	-	2
1	FEMALE INSERT	ZINC ALLOY	---	----	NOTE	1

PN 0-1 AS SHOWN

PARTS LIST

THIS DRAWING IS A CONTROLLED DOCUMENT. DIESE ZEICHNUNG IST EIN KONTROLLIERTES DOKUMENT.		DWN SCHNEIDER 16.02.2006	STE TE Connectivity		
DIMENSIONS: MASSENHITEN: mm		CHK A.GAST 16.02.2006			
TOLERANCES UNLESS OTHERWISE SPECIFIED: ALLGEMEINTOLERANZEN n. ISO 8015 - n. ISO 2768 - mH-E n. DIN 16901- 140		APVD T.SCHNURPFEIL 16.02.2006	NAME FEMALE INSERT HVS-MVB.4.BU.C		
MATERIAL		PRODUCT SPEC PRODUKTSPEZ. 108-74078	SIZE A3	CAGE CODE 00779	DRAWING NO ZEICHNUNGS-NR. G-1103253
FINISH/OBERFLAECHE/FARBE		APPLICATION SPEC. VERARBEITUNGSSPEZ. 114-74080	RESTRICTED TO NUR FUER		
-		WEIGHT GEWICHT 0.035 KG	SCALE MASSSTAB 1:1		SHEET BLATT 1 OF VON 1
CUSTOMER DRAWING/KUNDENZEICHNUNG			REV B		