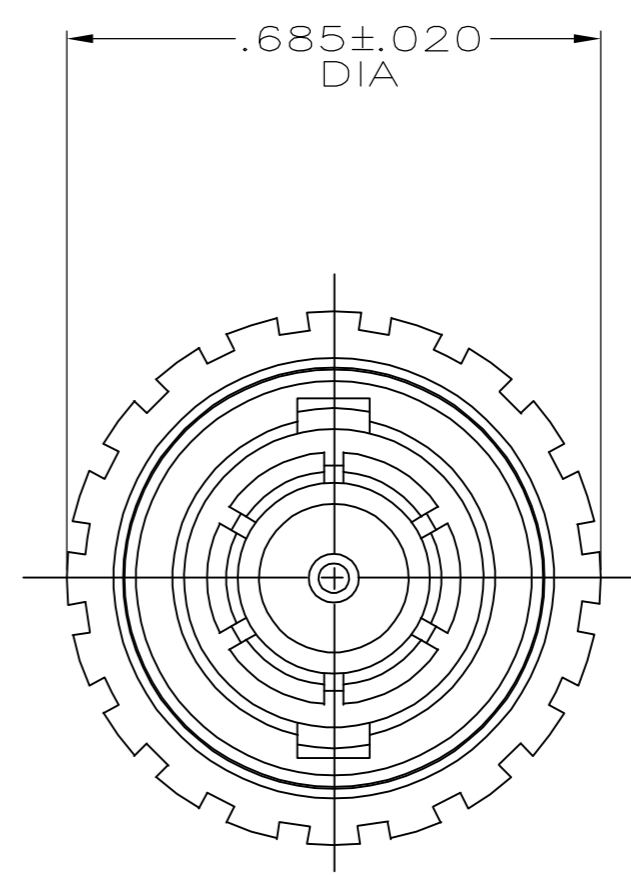
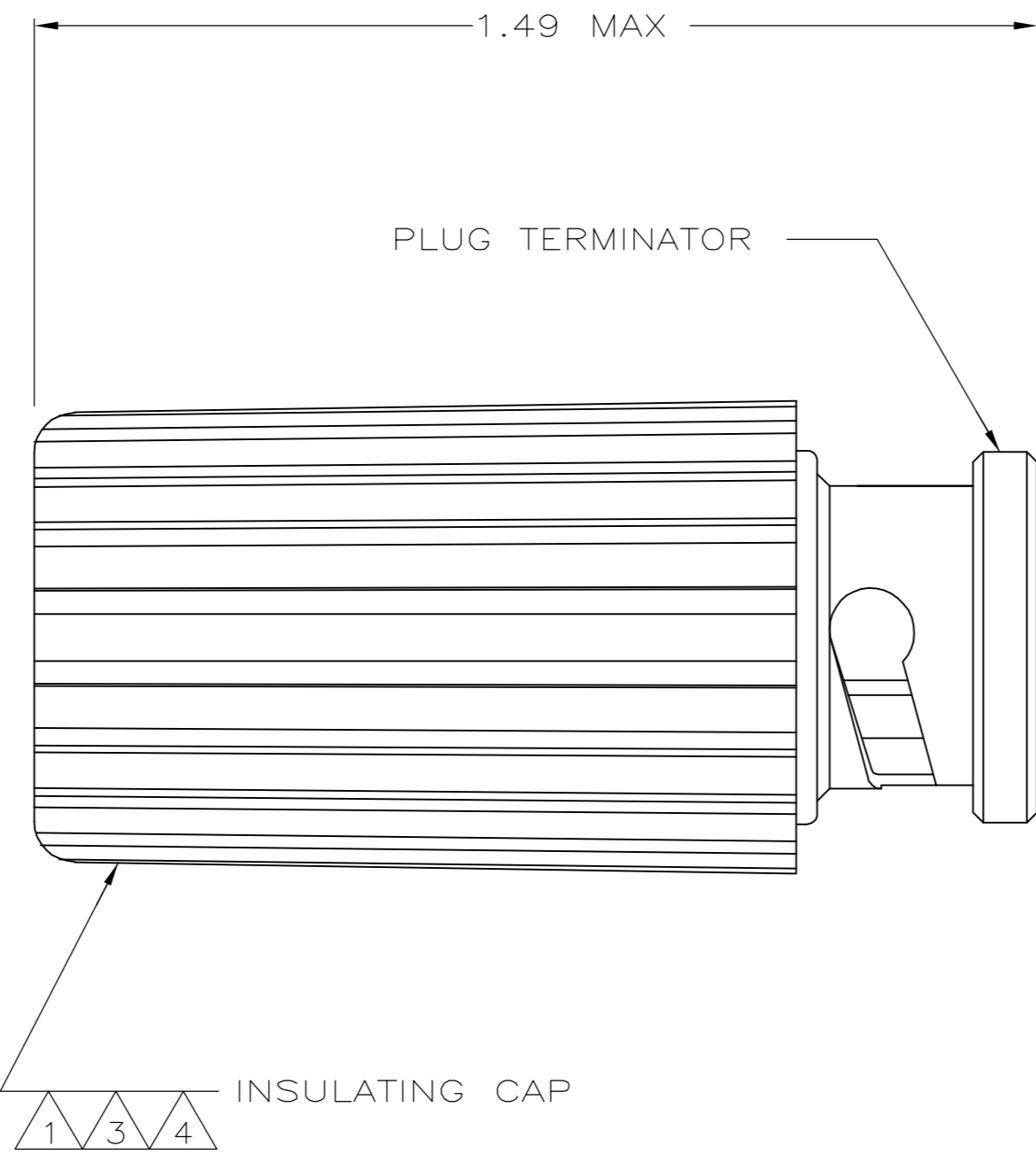
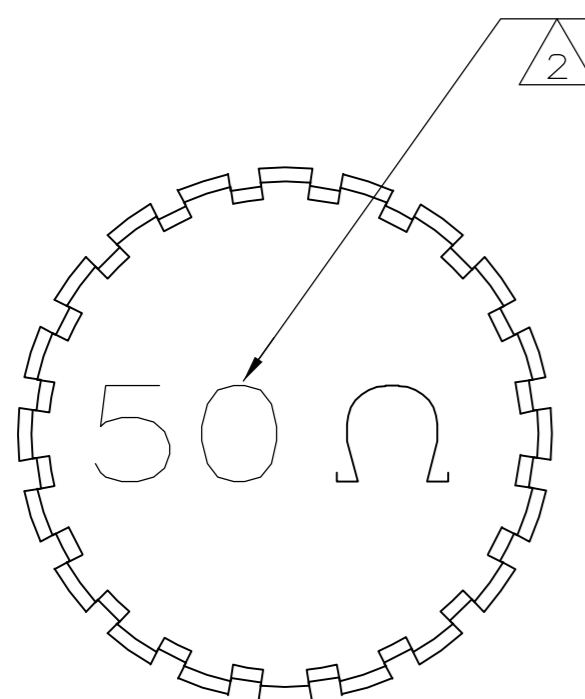


THIS DRAWING IS UNPUBLISHED. RELEASED FOR PUBLICATION  
 © COPYRIGHT BY TYCO ELECTRONICS CORPORATION. ALL RIGHTS RESERVED.

LOC	DIST	REVISIONS			
P	LTR	DESCRIPTION	DATE	DWN	APVD
D	AJ	16			
	D	REV PER EC 0514-0453-04	17OCT05	CJL	GM



- ① POLYPHENYLENE OXIDE
- ② RESISTOR VALUE IS MOLDED ON INSULATING CAP
- ③ COLOR, BLACK
- ④ COLOR, GRAY
- ⑤ SAME AS 413364-1 EXCEPT PACKAGED 5 PER BOX
- 6. RESISTOR SPECIFICATIONS:
  - A. 1 WATT
  - B. 1% TOLERANCE
  - C. 50 OHM

⑤	③	413364-3
④		413364-2
③		413364-1
OBSOLETE		PART NUMBER

THIS DRAWING IS A CONTROLLED DOCUMENT.		DWN	J.L.GROFT	8-2-94	Tyco Electronics Corporation Harrisburg, PA 17105-3608
DIMENSIONS: INCHES		CHK	R.J.KOBLER	8-2-94	
TOLERANCES UNLESS OTHERWISE SPECIFIED:		APVD	J.L.GROFT	8-3-94	
0 PLC ± - 1 PLC ± - 2 PLC ± - 3 PLC ± - 4 PLC ± - ANGLES ± - FINISH		PRODUCT SPEC	NAME		
MATERIAL - ①		WEIGHT -		SIZE	RESTRICTED TO
③-④		CUSTOMER DRAWING		A2	00779
		SCALE 4:1		C=413364	413364
		SHEET 1 of 1		REV D	