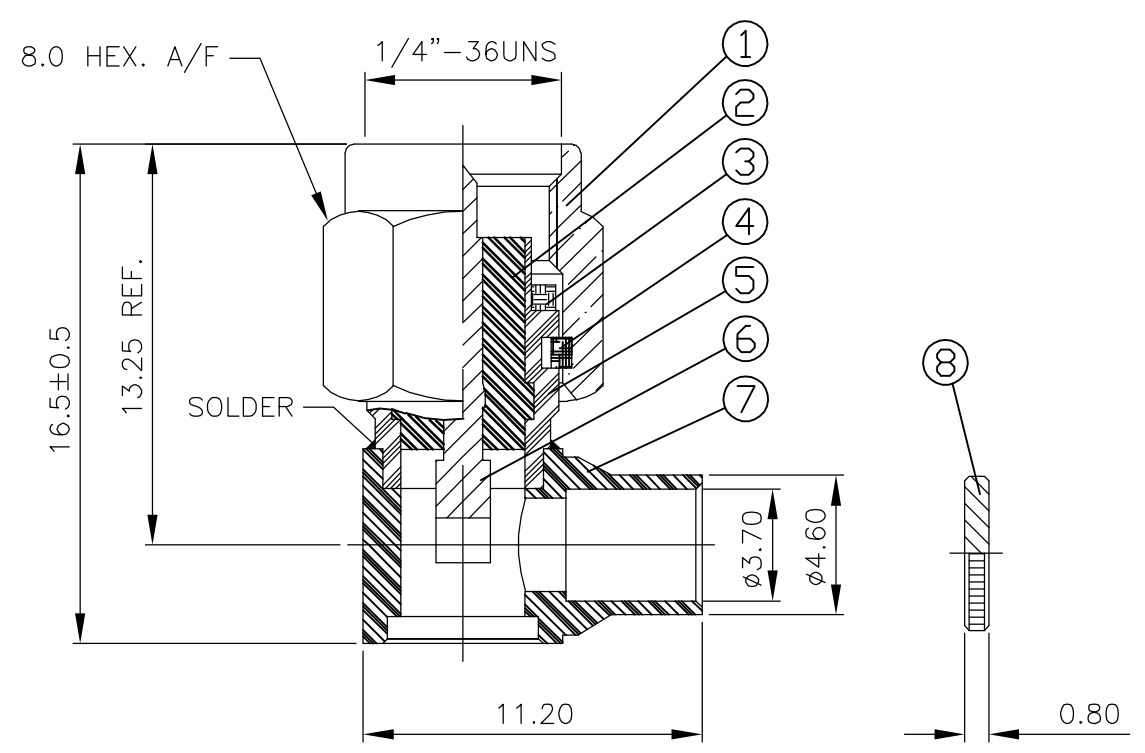
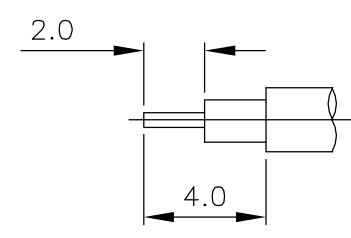


THIS DRAWING IS UNPUBLISHED. RELEASED FOR PUBLICATION APRIL, 2004.
 © COPYRIGHT 2004 BY TYCO ELECTRONICS CORPORATION. ALL RIGHTS RESERVED.

LOC	DIST	REVISIONS			
P	LTR	DESCRIPTION	DATE	DWN	APVD
E	B	A	EBD0-0035-03	09FEB04	RS FWK

- NOTES:
- 1 SINGLE PACK IN ACCORDANCE WITH SPEC 107-3275
 - 2 100 TRAY PACK IN ACCORDANCE WITH SPEC 107-3275
 - 3 0.08µm Au PLATING OVER 1.27µm Ni PLATING
 - 4 0.08µm Au PLATING OVER 1.27µm Ni PLATING OVER 0.76µm Cu PLATING
 - 5 0.76µm Au PLATING OVER 1.27µm Ni PLATING OVER 0.76µm Cu PLATING
 - 6 PASSIVATED (GOLD PLATED CABLE ENTRY)
 - 7 FOR TECHNICAL DATA REFER TO YOUR LOCAL TYCO ELECTRONICS SALES OFFICE
 - 8 ALL DIMENSIONS ARE NOMINAL FOR REFERENCE ONLY UNLESS OTHERWISE STATED

RECOMMENDED
CABLE STRIPPING DIM'S



QTY	1	1	-	-	-	-	MATERIAL	DESCRIPTION	ITEM
	1	1	-	-	-	-	BRASS	4 CAP	8
	-	-	1	1	-	-	STAINLESS STEEL	6 CAP	8
	-	-	-	-	1	1	STAINLESS STEEL	3 CAP	8
	1	1	-	-	-	-	BRASS	4 CHASSIS	7
	-	-	1	1	-	-	STAINLESS STEEL	6 CHASSIS	7
	-	-	-	-	1	1	STAINLESS STEEL	3 CHASSIS	7
	1	1	1	1	1	1	BRASS	5 CENTER CONTACT	6
	1	1	-	-	-	-	BRASS	4 BODY	5
	-	-	1	1	-	-	STAINLESS STEEL	6 BODY	5
	-	-	-	-	1	1	STAINLESS STEEL	3 BODY	5
	1	1	1	1	1	1	STAINLESS STEEL	CIRCLIP	4
	1	1	1	1	1	1	SILICON	GASKET	3
	1	1	1	1	1	1	PTFE	INSULATOR	2
	1	1	-	-	-	-	BRASS	4 SHELL	1
	-	-	1	1	-	-	STAINLESS STEEL	6 SHELL	1
	-	-	-	-	1	1	STAINLESS STEEL	3 SHELL	1
	3--1	3--0	2--1	2--0	1--1	1--0	MATERIAL	DESCRIPTION	ITEM
	2	1	2	1	2	1			

THIS DRAWING IS A CONTROLLED DOCUMENT.		DWN R.SMITH 09FEB04	Tyco Electronics Corporation Bideford, UK, EX39 4HE	
DIMENSIONS: mm		CHK S.PARLOW 09FEB04		
TOLERANCES UNLESS OTHERWISE SPECIFIED:		APVD F.WHEELER-KING 09FEB04	NAME SMA RIGHT ANGLE PLUG DIRECT SOLDER CAPTIVE CONTACT RG402/U	
0 PLC ± - 1 PLC ± - 2 PLC ± - 3 PLC ± - 4 PLC ± - ANGLES ± - FINISH -		PRODUCT SPEC 108-3460	SIZE A3	
MATERIAL SEE TABLE		APPLICATION SPEC 411-3276	CAGE CODE 00779	DRAWING NO C-1478905
		WEIGHT -	RESTRICTED TO -	
		CUSTOMER DRAWING		SCALE 1:1 SHEET 1 OF 1 REV A