

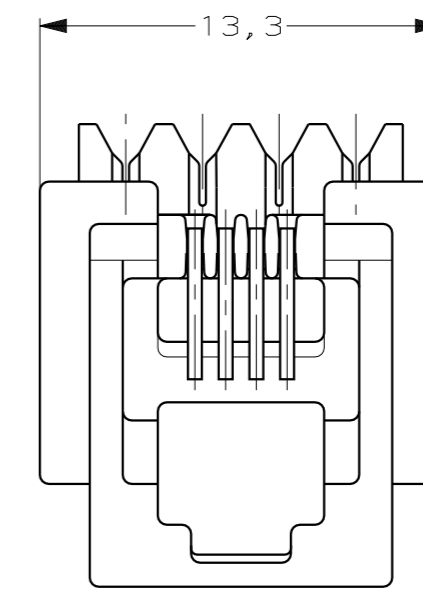
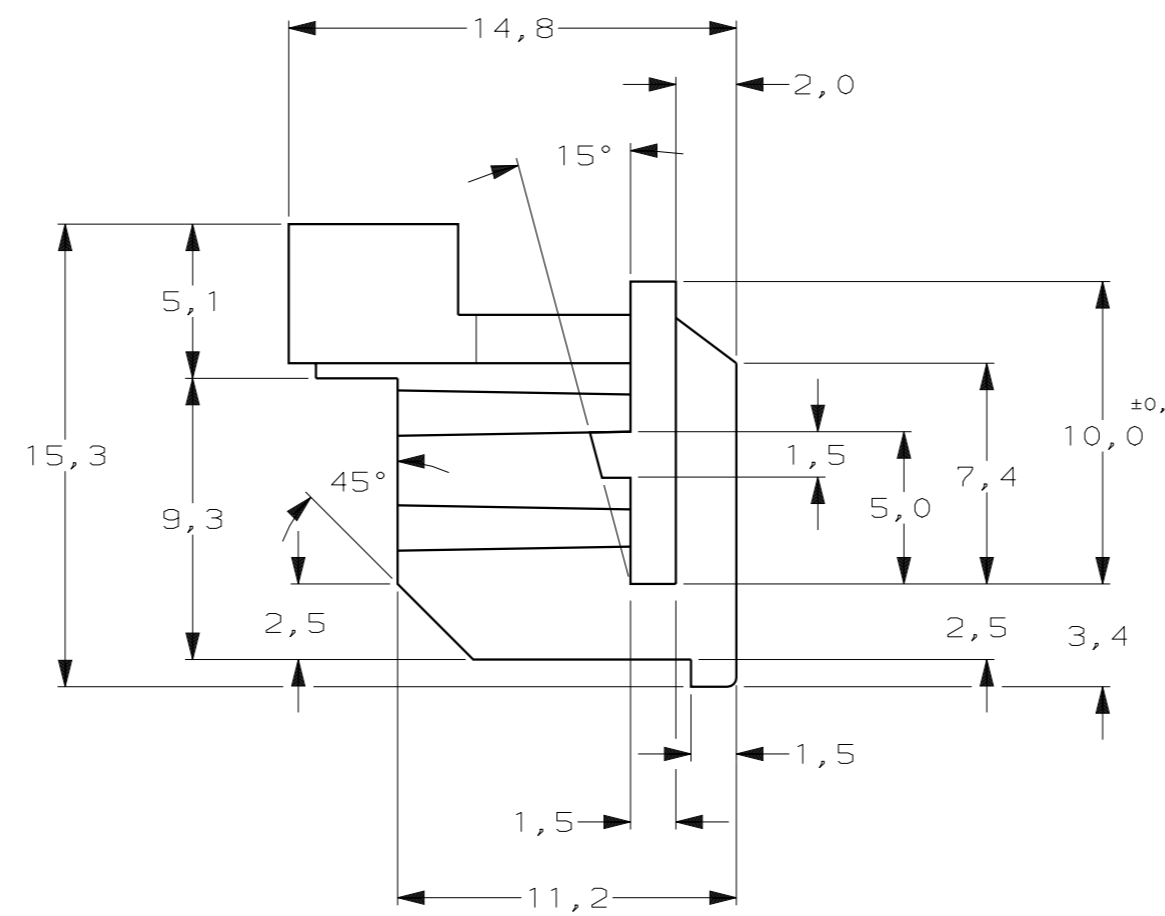
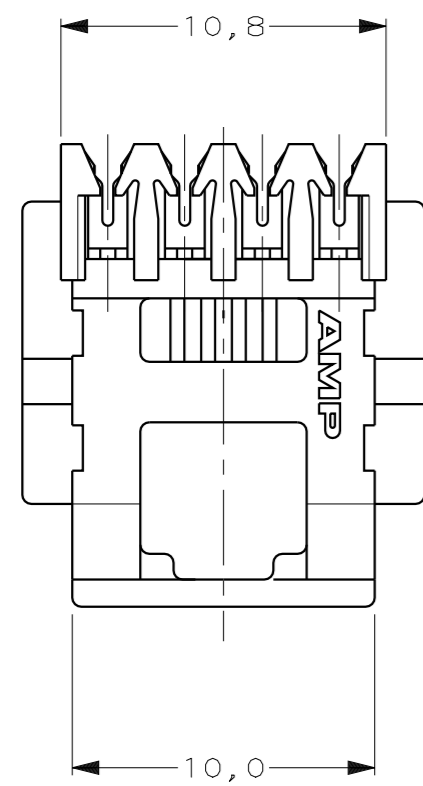
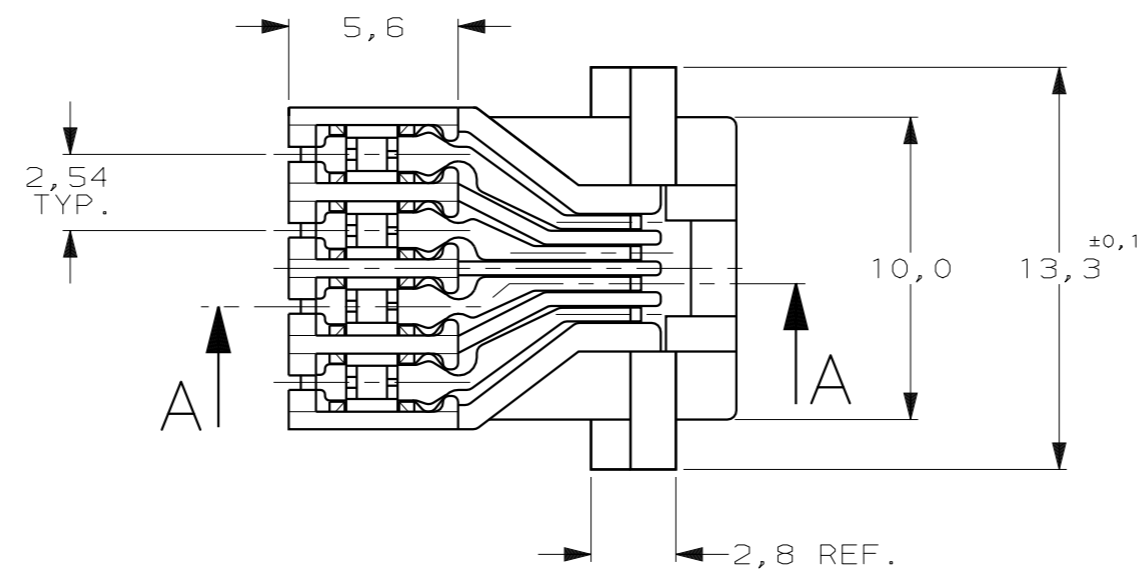
NOTES:

- FOR APPLICATION INFORMATION SEE AMP SPECIFICATION 114-19005.
- FOR PERFORMANCE REQUIREMENTS SEE AMP SPECIFICATION 108-19039.
- GENERAL TOLERANCE  $\pm 0,15\text{mm}$  UNLESS OTHERWISE SPECIFIED.

DO NOT SCALE  
DIMENSIONS IN mm

METRIC

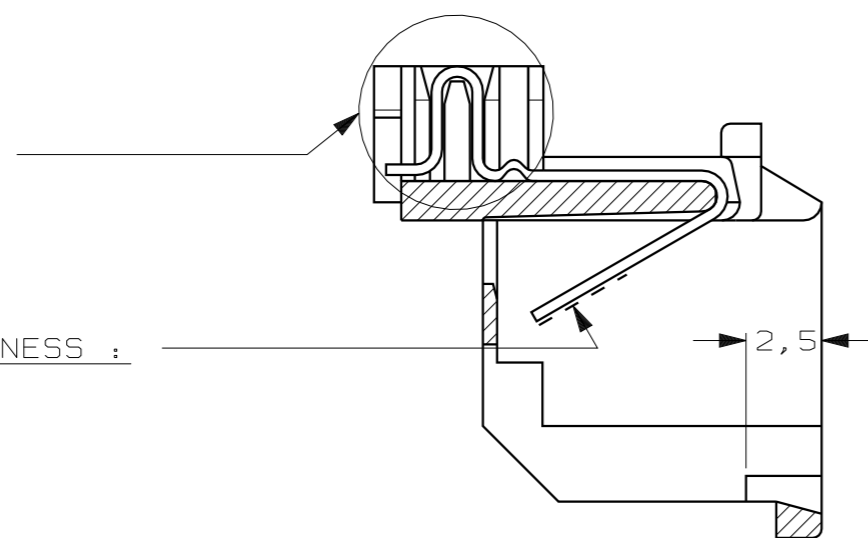
THIRD ANGLE  
PROJECTION



CONTACT PLATING IN THIS AREA :  
1,25  $\mu\text{m}$  MIN. TIN

CONTACT AREA GOLD PLATING THICKNESS :  
SEE TABLE.

UNDERPLATING ON ENTIRE CONTACT :  
1,25  $\mu\text{m}$  NICKEL.



SEC. A-A

OBSOLETE

|  |                                 |                                |   |
|--|---------------------------------|--------------------------------|---|
| 800 pcs. ON<br>60 cm. DIA REEL   | 0,8 $\mu\text{m}$               | HOUSING : ABS<br>COLOR : CLEAR | 2-216780-2  |
|  | 1,25 $\mu\text{m}$              |                                | 2-216780-1  |
| 3000 pcs.<br>IN A BOX  | 0,8 $\mu\text{m}$               | CONTACTS :<br>PHOS.PH. BRONZE  | 216780-2  |
|  | 1,25 $\mu\text{m}$              |                                | 216780-1  |
| PACKAGING  | GOLD PLATING IN<br>CONTACT AREA | MATERIAL                       | ORDERNUMBER   |
| -  | -                               | -                              | -   |
| CUSTOMER DRAWING   |                                 |                                | FOR REFERENCE ONLY<br>WILL NOT BE UPDATED                             |
| © COPYRIGHT 19- BY AMP HOLLAND B.V.<br>ALL INTERNATIONAL RIGHTS RESERVED. AMP PRODUCTS MAY BE<br>COVERED BY U.S. AND FOREIGN AND/OR PATENTS PENDING. |                                 |                                |   |
| THIS DRAWING IS UNPUBLISHED<br>RELEASED FOR PUBLICATION  |                                 |                                |   |
| AMP  |                                 |                                | AMP HOLLAND B.V.<br>s-Hertogenbosch,<br>The Netherlands.              |
| F  | ECR-05-013405                   | PW JB 18 OCT 05                | NAME  |
| E  | EH-0176-98                      | EvE WB 10 FEB 98               | MODULAR JACK, 4 POS./4 CONT.<br>WITH INSULATION DISPLACEMENT CONTACTS |
| LTR.   | REVISION RECORD                 | DR. CHK. DATE                  |   |
| DR. : L.V.D.HEIJDEN  | CHK. : M. DE WINTER             | APP. : L. VAN SOEST            | DWG.No.   |
| DATE: 20 OKT 89  | DATE: 26-10-89                  | DATE: -                        | C-216780  |
|  |                                 |                                | REV.LTR. SHEET  |
|  |                                 |                                | F 1 OF 1 A2   |