

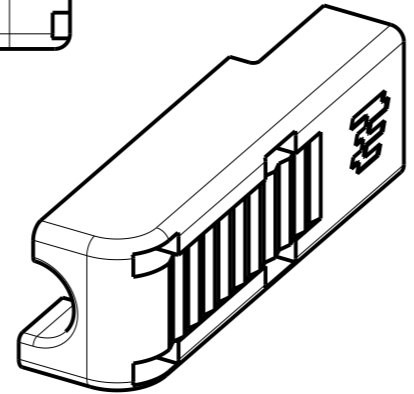
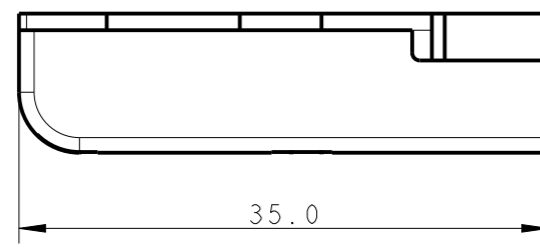
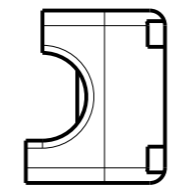
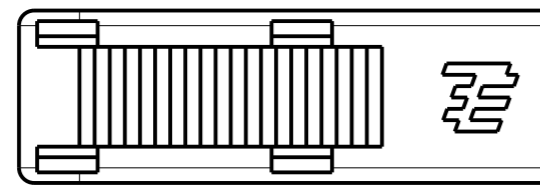
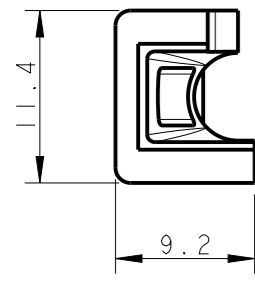
THIS DRAWING IS UNPUBLISHED. RELEASED FOR PUBLICATION 2010

© COPYRIGHT 2010 BY - ALL RIGHTS RESERVED.

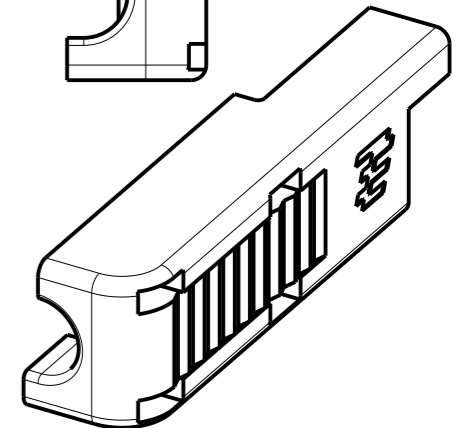
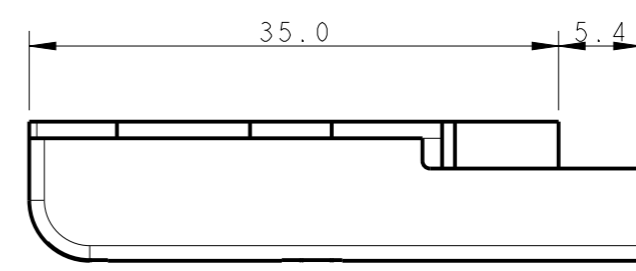
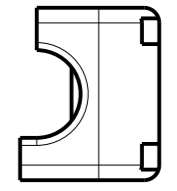
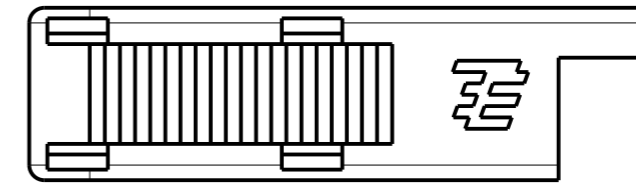
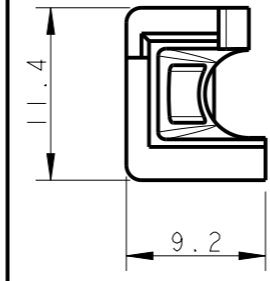
REVISIONS

P	LTR	DESCRIPTION	DATE	DWN	APVD
2		REVISED: GEOMETRY IMPROVEMENTS	02SEP2010	DC	GT
3		REVISED: ADDED PARTS WITH POLARIZATIONS	08NOV2010	DC	GT
A		RELEASE FOR PRODUCTION OF P/N 293736-1	26NOV2010	DC	GT
AI		REVISED PER ECR-14-006523	12MAY2014	RS	DD

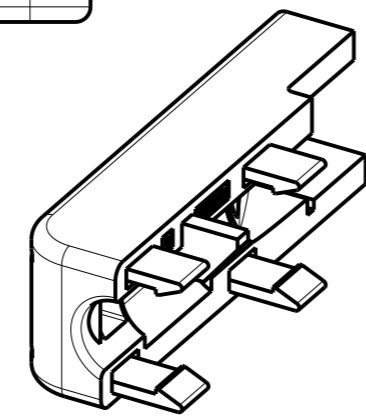
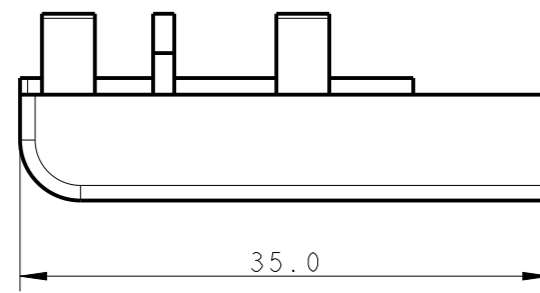
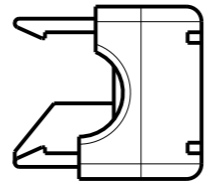
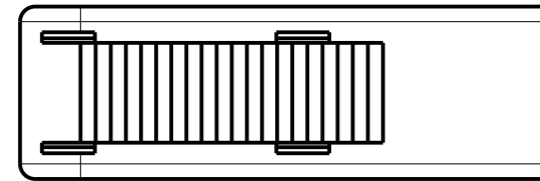
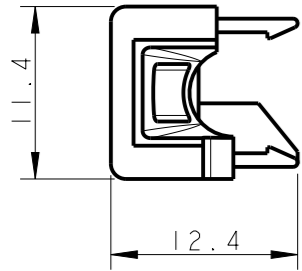
COVERPART "A"
P/N 293730-1
(PART NOT SALEABLE)



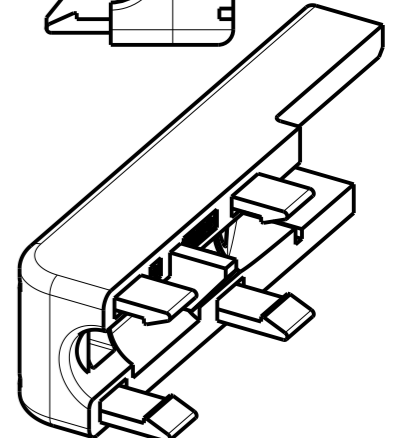
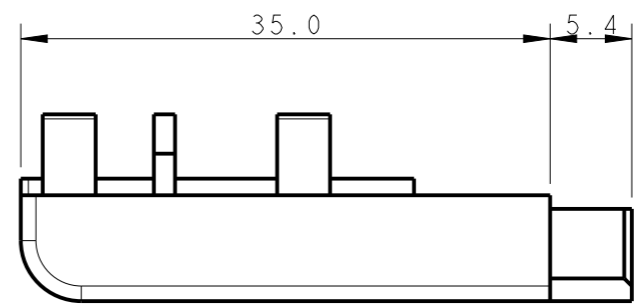
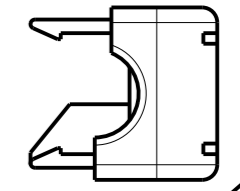
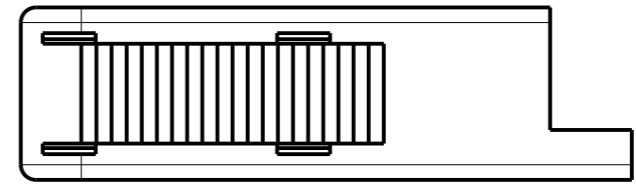
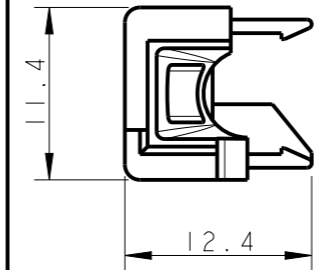
COVERPART "A"
P/N 293730-2
(PART NOT SALEABLE)



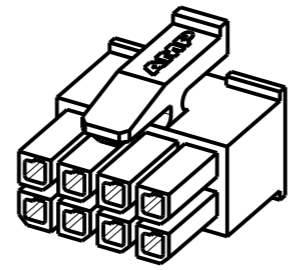
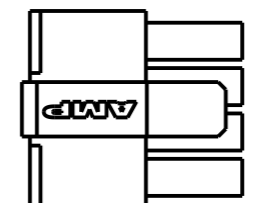
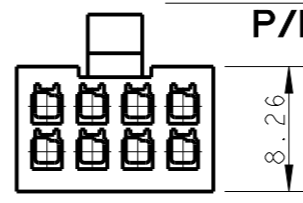
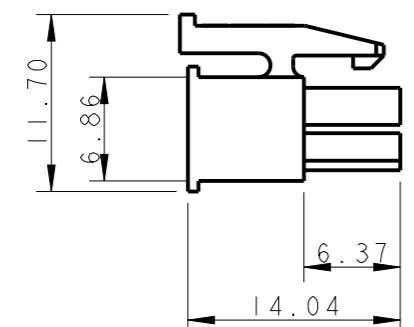
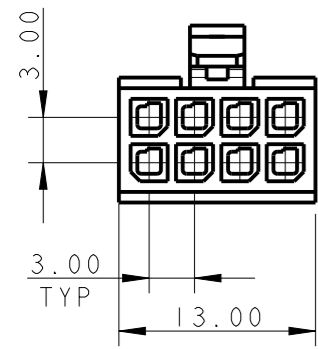
COVERPART "B"
P/N 293731-1
(PART NOT SALEABLE)



COVERPART "B"
P/N 293731-2
(PART NOT SALEABLE)



8 POS. PLUG HOUSING
P/N 794617-8



THIS DRAWING IS A CONTROLLED DOCUMENT.

DIMENSIONS: mm	
MATERIAL NYLON, UL94-V0 BLACK	

TOLERANCES UNLESS OTHERWISE SPECIFIED:	
0 PLC	±0.5
1 PLC	±0.3
2 PLC	±0.2
3 PLC	±
4 PLC	±
ANGLES	±°
FINISH	-

DWN	23JUN2010
CHK	23JUN2010
APVD	23JUN2010
PRODUCT SPEC	108-20314
APPLICATION SPEC	114-20157
WEIGHT	-
Customer Drawing	

STE TE Connectivity

NAME
8 POS. COVERPART FOR
8 POS. MICRO MATE-N-LOK
PLUG HOUSING P/N 794617-8

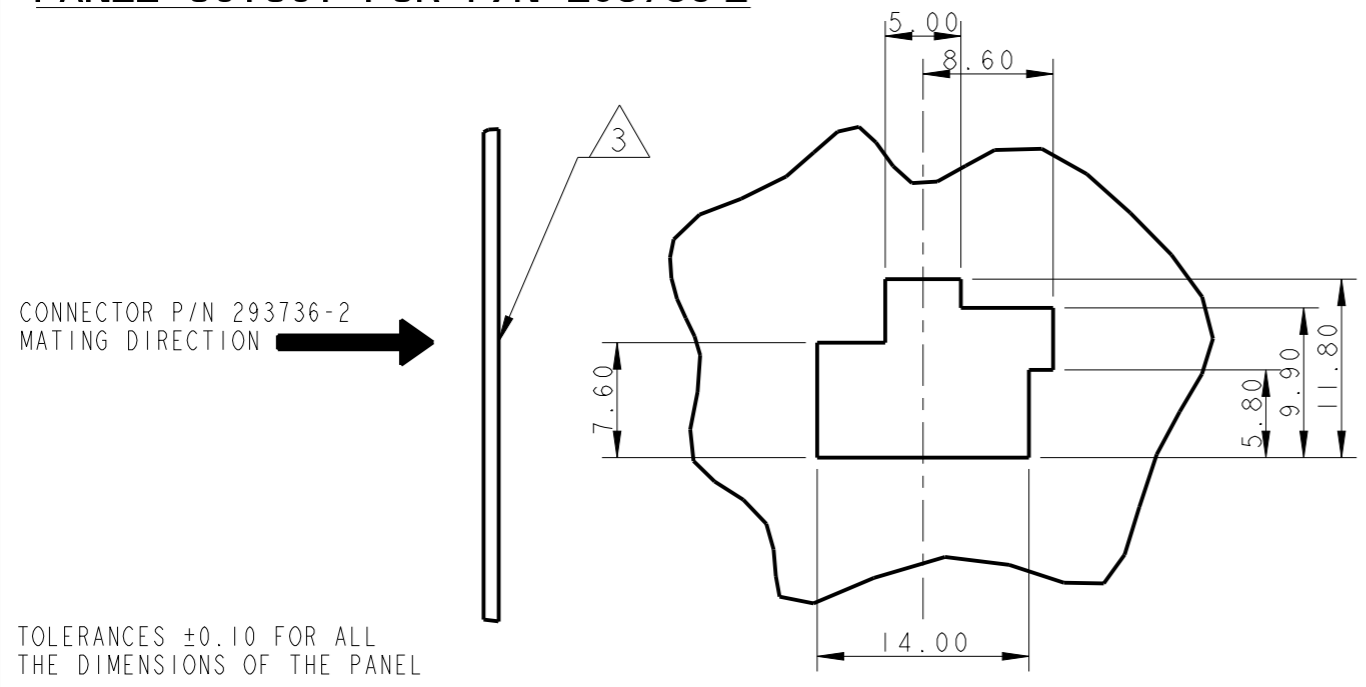
SIZE	CAGE CODE	DRAWING NO	RESTRICTED TO
A300779	C-293736		-

SCALE 2:1 SHEET 1 OF 2 REV AI

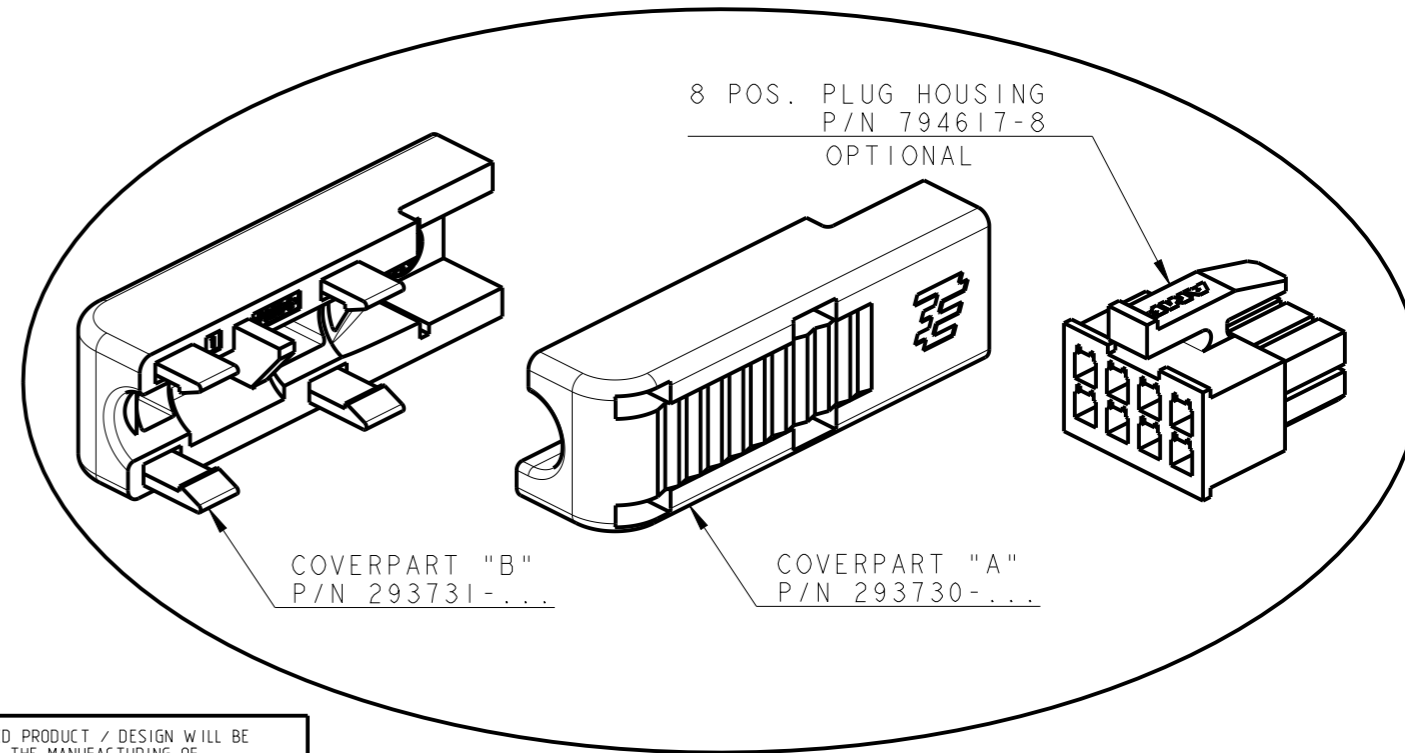
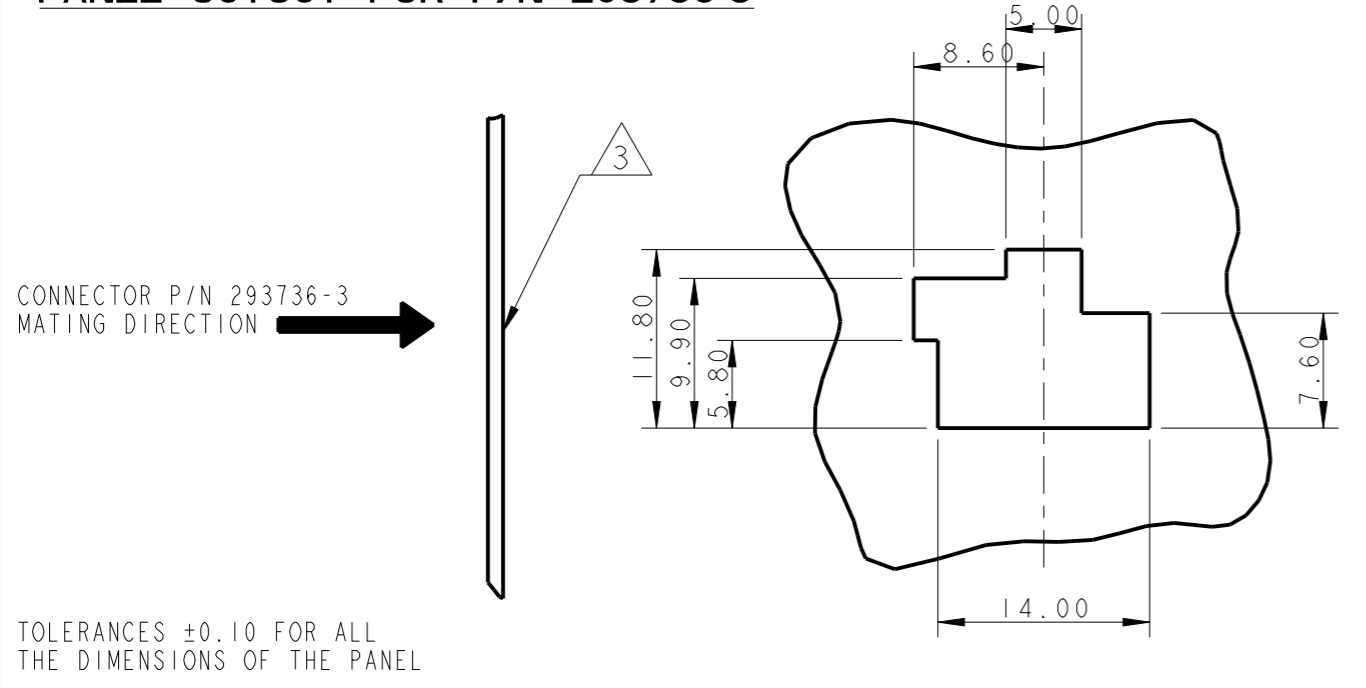
REVISIONS

P	LTR	DESCRIPTION	DATE	DWN	APVD
-	-	SEE SHEET 1	-	-	-

PANEL CUTOUT FOR P/N 293736-2



PANEL CUTOUT FOR P/N 293736-3



THE PRESENTED PRODUCT / DESIGN WILL BE RELEASED FOR THE MANUFACTURING OF THE NECESSARY PRODUCTION TOOLS HEREBY. FURTHER CHANGES HAS TO BE PAID BY CUSTOMER.

DATE: SIGN OF THE CUSTOMER

8 POS. COVERPART P/N 293736-...

- PACKAGING: CARTON BOX CONTAINING:
 - N°500 PIECES OF COVERPART "A" P/N 293730-....
 - N°500 PIECES OF COVERPART "B" P/N 293731-....
 - N°500 PLUG HOUSINGS P/N 794617-8
- ADMITTED CABLES MUST HAVE EXTERNAL DIAMETER OF 5,6±0,2mm AND MUST BE OF THE FOLLOWING TYPE:
 - LiYY 8x0.25mm² (MAX. N°8 CONTACTS P/N 794606-1 MUST BE CRIMPED ON THIS CABLE)
 - HELUKABEL DATAFLAMM 10x0,14mm² / 52307 350V HALOGEN FREE (MAX. N°8 CONTACTS P/N 794607-1 MUST BE CRIMPED ON THIS CABLE).

ON THIS SIDE OF THE PANEL THERE IS THE COUNTERPART CONNECTOR, TYCO ELECTRONICS P/N 794639-8

NOT RELEASED FOR PRODUCTION

-	293731-1	293730-1	293736-4	4
794617-8	293731-2	293730-1	293736-3 (POLARIZED VERSION 2)	4
794617-8	293731-1	293730-2	293736-2 (POLARIZED VERSION 1)	4
794617-8	293731-1	293730-1	293736-1 (STANDARD VERSION)	
8 POS. PLUG HOUSING	COVERPART "B"	COVERPART "A"	PART NUMBER	
COMPONENTS				

THIS DRAWING IS A CONTROLLED DOCUMENT.

DIMENSIONS:	TOLERANCES UNLESS OTHERWISE SPECIFIED:
mm	
0 PLC	±0.5
1 PLC	±0.3
2 PLC	±0.2
3 PLC	±
4 PLC	±
ANGLES	±°
MATERIAL	FINISH
	-

DWN	23JUN2010
D. CHIARELLI	
CHK	23JUN2010
D. CHIARELLI	
APVD	23JUN2010
G. TURCO	
PRODUCT SPEC	108-20314
APPLICATION SPEC	114-20157
WEIGHT	-
Customer Drawing	



NAME			
8 POS. COVERPART FOR 8 POS. MICRO MATE-N-LOK PLUG HOUSING P/N 794617-8			
SIZE	CAGE CODE	DRAWING NO	RESTRICTED TO
A3	00779	C-293736	-
SCALE		SHEET	REV
2:1		2 OF 2	A1