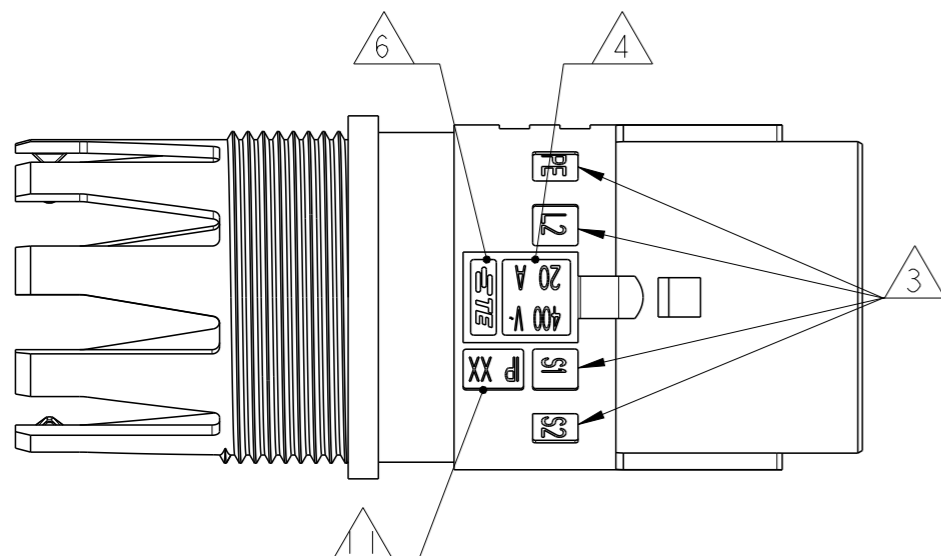
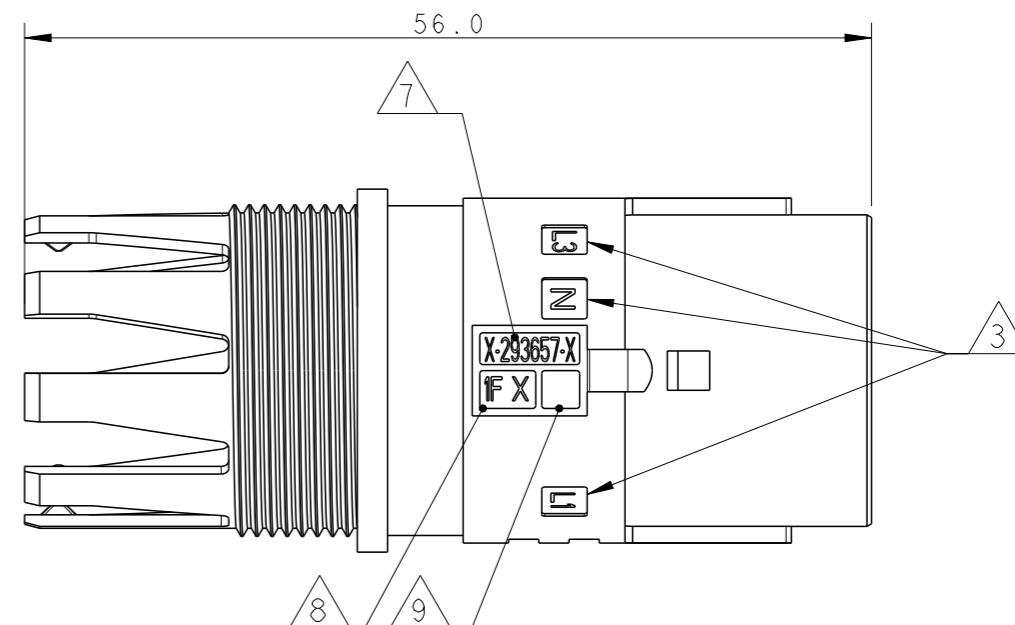
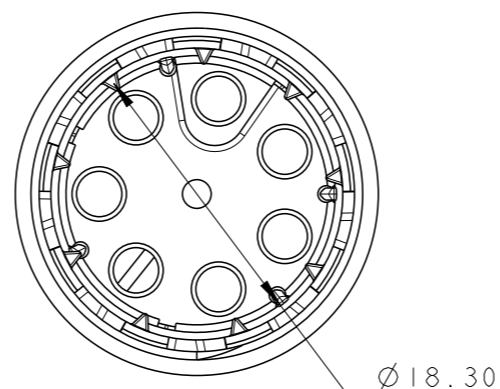
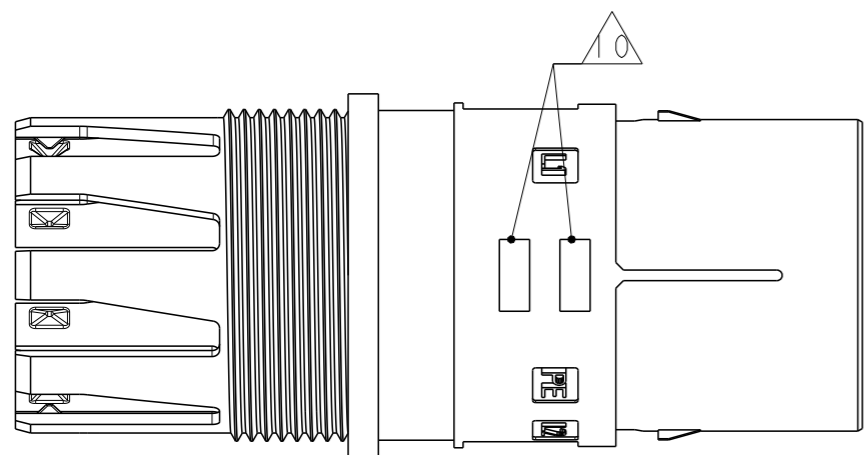


LOC	DIST
1	-

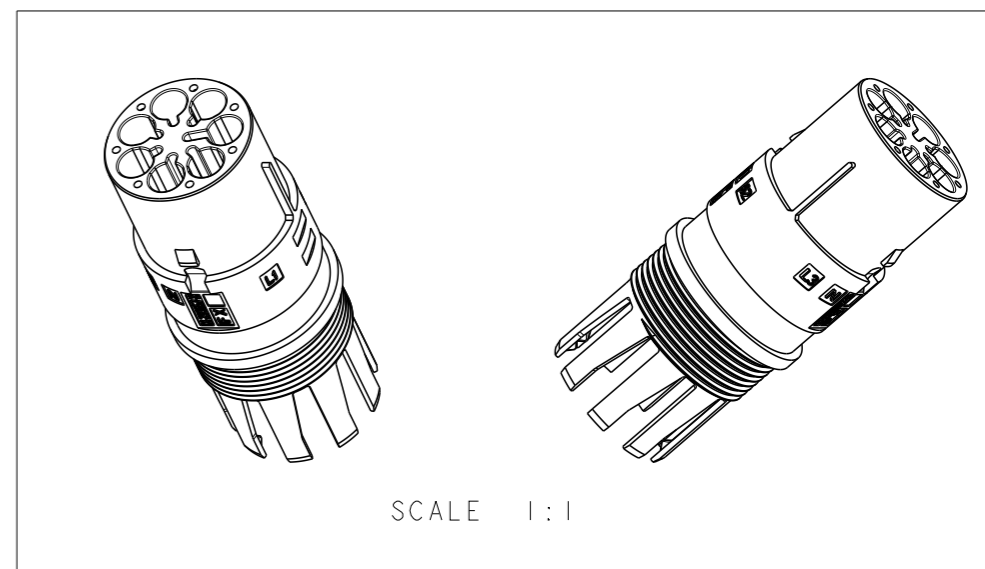
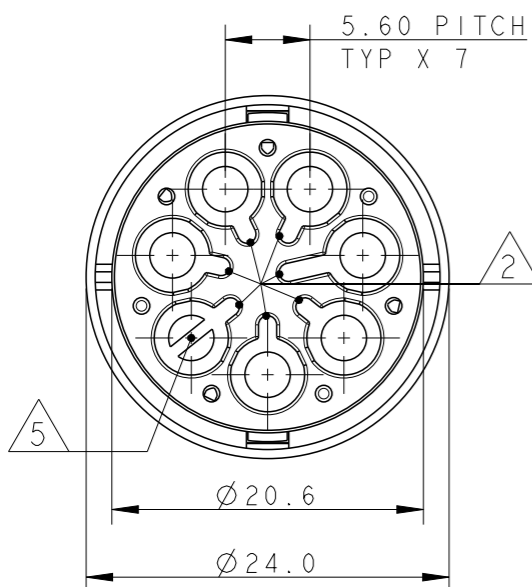
REVISIONS					
P	LTR	DESCRIPTION	DATE	DWN	APVD
6		UPDATED	23JUL2013	MZ	JC
7		REVISED LATCH SHAPE	05AUG2013	KR	JC
A		PARTS RELEASED FOR PRODUCTION	13NOV2013	KR	JC


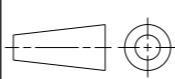
PRELIMINARY



NOTES:

- 1 MATERIAL: PA GF (NATURAL AND BLACK COLOUR)
- 2 ALL POLARIZATION KEYS SHOWN FOR REF ONLY
- 3 WAYS I.D.
- 4 VOLTAGE AND CURRENT RATINGS
- 5 RIB CLOSING CAVITY BY CHANGE OVER
- 6 TE LOGO
- 7 TE PART NUMBER
- 8 DATA CODE AND CAVITY I.D.
- 9 AREA FOR AGENCIES APPROVAL LOGO
- 10 VISUAL INDICATOR FOR PE CONDUCTOR
- 11 IP CODE



THIS DRAWING IS A CONTROLLED DOCUMENT.		DWN A. BERNARDI 31MAR2011	 TE Connectivity	
DIMENSIONS: mm		CHK M. ZUCCA 31MAR2011		
TOLERANCES UNLESS OTHERWISE SPECIFIED:		APVD G. TURCO 31MAR2011	NAME PIN HSG 6 POLES FREE HANGING NECTOR M-LINE UNSEALED VERSION	
		PRODUCT SPEC 108-20324	RESTRICTED TO	
MATERIAL NOTE 1		APPLICATION SPEC 114-20169	SIZE A300779	CAGE CODE C-293657
FINISH -		WEIGHT -	DRAWING NO	REV A
		Customer Drawing	SCALE 2:1	SHEET 1 OF 2

THIS DRAWING IS UNPUBLISHED.

RELEASED FOR PUBLICATION

2011







© COPYRIGHT 2011 BY -

ALL RIGHTS RESERVED.


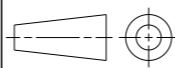
LOC	DIST	REVISIONS					
		P	LTR	DESCRIPTION	DATE	DWN	APVD
1	-	-	-	SEE SHEET 1	-	-	-

POLARIZATION TYPES

POLARIZATION TYPE "D"	POLARIZATION TYPE "E"	POLARIZATION TYPE "F"
		
PNs 0-293657-3 AND 0-293657-3	PNs 0-293657-4 AND 1-293657-4	PNs 0-293657-5 AND 0-293657-5

	E	BLACK	PIN HSG 6 POLES FREE HANGING NECTOR* M-LINE	A	1-293657-5
	D	BLACK	PIN HSG 6 POLES FREE HANGING NECTOR* M-LINE	A	1-293657-4
	C	BLACK	PIN HSG 6 POLES FREE HANGING NECTOR* M-LINE	A	1-293657-3
	E	NATURAL	PIN HSG 6 POLES FREE HANGING NECTOR* M-LINE	A	0-293657-5
	D	NATURAL	PIN HSG 6 POLES FREE HANGING NECTOR* M-LINE	A	0-293657-4
	C	NATURAL	PIN HSG 6 POLES FREE HANGING NECTOR* M-LINE	A	0-293657-3
NOTE	POL. KEYING	COLOUR	DESCRIPTION	REV.	P/N

PRELIMINARY

THIS DRAWING IS A CONTROLLED DOCUMENT.		DWN A. BERNARDI 31MAR2011	 TE Connectivity		
DIMENSIONS: mm		CHK M. ZUCCA 31MAR2011			
TOLERANCES UNLESS OTHERWISE SPECIFIED:		APVD G. TURCO 31MAR2011	NAME PIN HSG 6 POLES FREE HANGING NECTOR M-LINE UNSEALED VERSION		
		PRODUCT SPEC 108-20324	RESTRICTED TO		
MATERIAL NOTE 1		APPLICATION SPEC 114-20169	SIZE A3	CAGE CODE 00779	DRAWING NO C-293657
FINISH -		WEIGHT -	SCALE 2:1		
		Customer Drawing	SHEET 2 OF 2		
			REV A		