

# RED INDICATES ORIGINAL

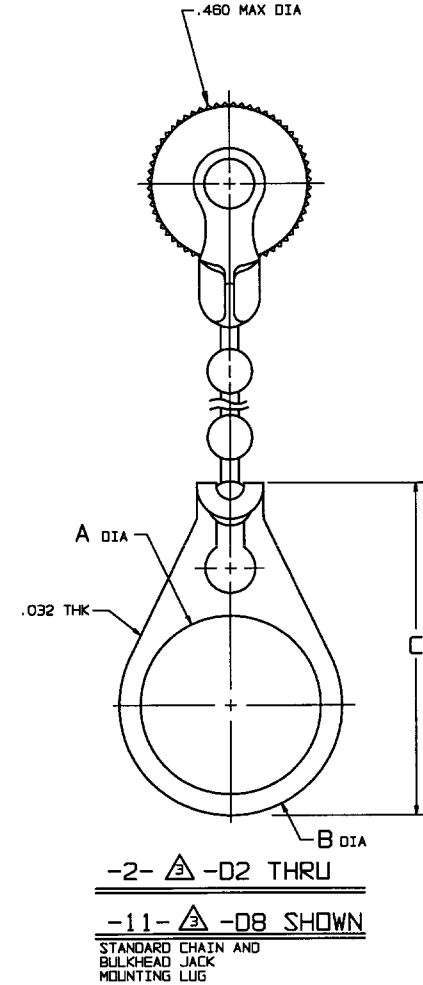
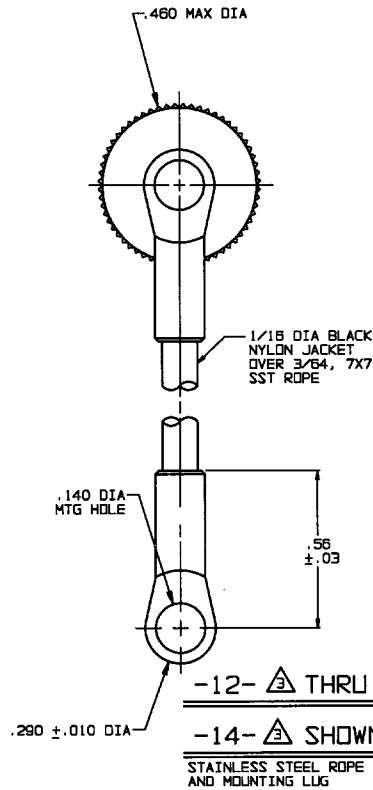
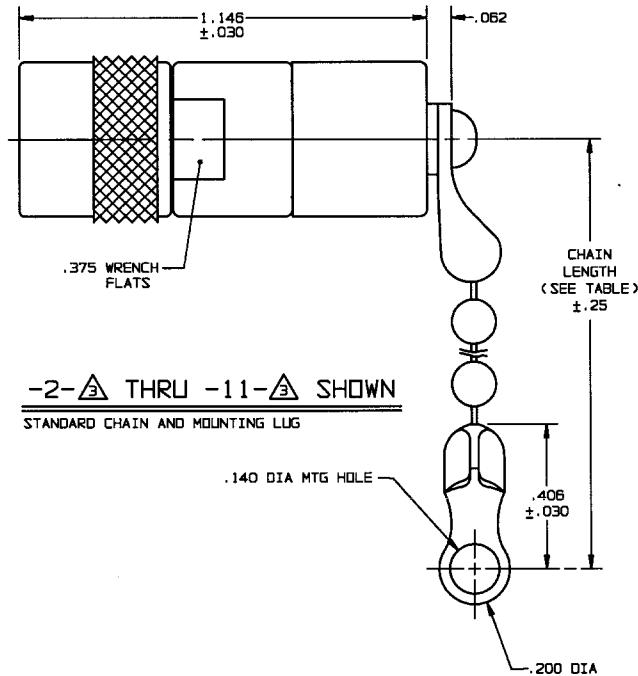
| TABLE 1 |                            |
|---------|----------------------------|
| DASH NO | DESCRIPTION                |
| -1      | TERM (NO CHAIN)            |
| -2      | TERM WITH 2.5 BRASS CHAIN  |
| -3      | TERM WITH 2.5 NYLON CHAIN  |
| -4      | TERM WITH 3.0 BRASS CHAIN  |
| -5      | TERM WITH 3.0 NYLON CHAIN  |
| -6      | TERM WITH 6.0 BRASS CHAIN  |
| -7      | TERM WITH 6.0 NYLON CHAIN  |
| -8      | TERM WITH 4.0 BRASS CHAIN  |
| -9      | TERM WITH 4.0 NYLON CHAIN  |
| -10     | TERM WITH 10.0 BRASS CHAIN |
| -11     | TERM WITH 10.0 NYLON CHAIN |
| -12     | TERM WITH 2.5 SST ROPE     |
| -13     | TERM WITH 3.0 SST ROPE     |
| -14     | TERM WITH 6.0 SST ROPE     |

| TABLE 2 |         |         |         |
|---------|---------|---------|---------|
| DASH NO | "A" DIM | "B" DIM | "C" DIM |
| -D2     | .630    | .750    | 1.066   |
| -D3     | .505    | .625    | .941    |
| -D5     | .380    | .500    | .816    |
| -D8     | .610    | .750    | 1.066   |

| INCH |       | MM    |        |
|------|-------|-------|--------|
| .005 | 0.13  | .56   | 14.22  |
| .010 | 0.25  | .610  | 15.49  |
| .030 | 0.76  | .625  | 15.88  |
| .032 | 0.83  | .630  | 16.00  |
| .062 | 1.57  | .750  | 19.05  |
| .140 | 3.58  | .816  | 20.73  |
| .200 | 5.08  | .941  | 23.90  |
| .250 | 6.35  | 1.066 | 27.08  |
| .290 | 7.37  | 1.146 | 29.11  |
| .375 | 9.53  | 2.5   | 63.50  |
| .380 | 9.65  | 3.0   | 76.20  |
| .406 | 10.31 | 4.0   | 101.60 |
| .460 | 11.68 | 6.0   | 152.40 |
| .500 | 12.70 | 10.0  | 254.00 |
| .505 | 12.83 |       |        |

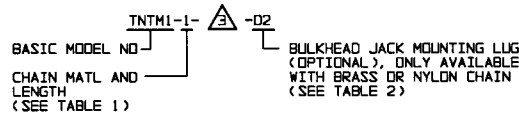
DWG SIZE  
C  
DATA CONTAINED IN THIS DOCUMENT IS PROPRIETARY TO TROMPETER ELECTRONICS INC. AND SHALL NOT BE DISCLOSED, COPIED OR USED FOR REPRODUCTION OR MANUFACTURE WITHOUT EXPRESS WRITTEN PERMISSION.

| REVISIONS |       |   | 310-0048 |          | SH 1     |
|-----------|-------|---|----------|----------|----------|
| REV       | EO    | DESCRIPTION   | DWN      | APPROVED | DATE     |
| C         | 11004 | ADDED "SST ROPE" AND "D" LUG OPTIONS; ADDED "S" FOR SHORTED TO INNER SHIELD; DRAWING NUMBER WAS 3100-0048; GENERAL UPDATE; REDRAWN; SEE ECD | DKC      | Bm, Ja   | 12/19/94 |



6. IF SAFETY WIRE TYPE REQ'D ADD SUFFIX "S" TO MODEL NO (I.E. TNTMS1)

5. EXAMPLE OF COMPLETE MODEL NO:

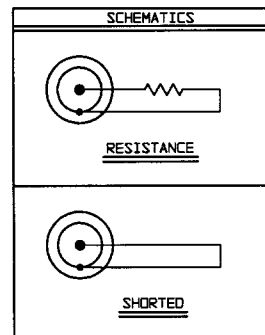


4. PIN CONTACT TTM SERIES CONCENTRIC TWINAX/TRIAX THREADED SUBMINIATURE TERMINATED CABLE PLUG

Δ RESISTANCE VALUE IN OHMS (1/8, 1/2) \*S\* = SHORTED TO INNER SHIELD (NO RESISTOR) 4

2. FINISH: TFS-1A (NICKEL)

1. ALL DIM ARE IN INCHES



| QTY  | DESCRIPTION                         | PART NUMBER      | ITEM                  |
|--|-------------------------------------|------------------|-----------------------|
| TOL UNLESS SPECIFIED<br>.001 ±<br>.005 ±<br>ANGLES | <b>TROMPETER</b><br>RF connectivity | TNTM1/TNTMS1     |                       |
| DWN DKC 12-18-94                                   | MATERIAL                            | CODE IDENT 14949 | DRAWING NO. 3100-0048 |
| CHK Bm 12-19-94                                    | ENGR                                | DATE             | REV C                 |
| ENGR   | APPR JZ 12/19/94                    | SCALE 4/1        | SHEET 1 OF 2          |