

MODELS:

PDU3VSR3L1520, PDU3VSR10L1520

3-Phase Switched Rackmount PDU



208V
3-Phase Input



L15-20P Plug



208V Single-Phase Output



24 Outlets

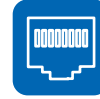


5.7kW

5.7kW Load Capacity



Multimode Load Meter



Network Interface

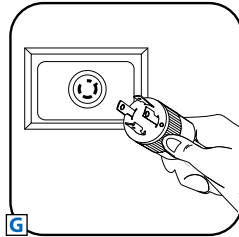


0U Rackmount



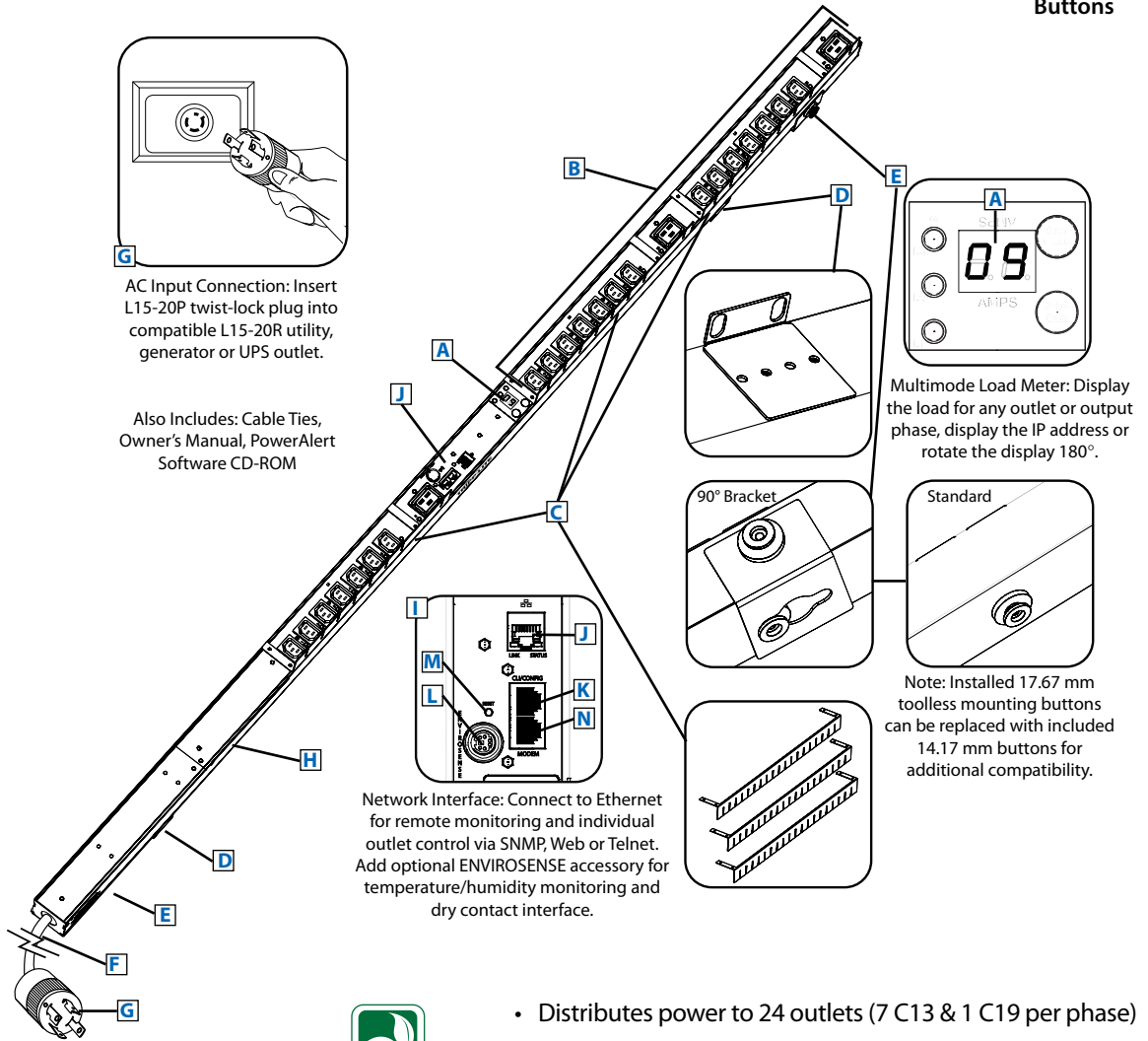
Toolless Mounting Buttons

- A** Digital Load Meter
- B** C13 and C19 Outlets with On/Off LEDs
- C** Removable Cord Retention Brackets
- D** Removable Mounting Brackets
- E** Toolless Mounting Buttons with Removable 90° Rotation Brackets
- F** PDU3VSR3L1520: 3-ft. Input Power Cord
PDU3VSR10L1520: 10-ft. Input Power Cord
- G** L15-20P Twist-Lock Input Plug
- H** Durable Metal Case
- I** Network Interface
- J** RJ45 Ethernet Jack
- K** Manual Configuration Port
- L** Environmental Monitoring Port
- M** Network Interface Reset Button
- N** Modem Port (For Future Use)

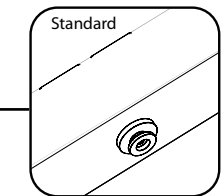
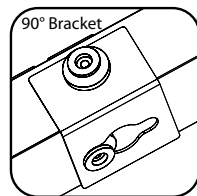
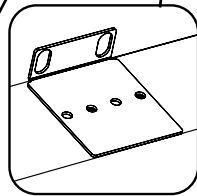


AC Input Connection: Insert L15-20P twist-lock plug into compatible L15-20R utility, generator or UPS outlet.

Also Includes: Cable Ties, Owner's Manual, PowerAlert Software CD-ROM

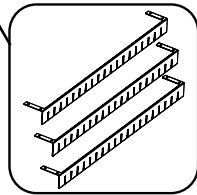


Multimode Load Meter: Display the load for any outlet or output phase, display the IP address or rotate the display 180°.



Note: Installed 17.67 mm toolless mounting buttons can be replaced with included 14.17 mm buttons for additional compatibility.

Network Interface: Connect to Ethernet for remote monitoring and individual outlet control via SNMP, Web or Telnet. Add optional ENVIROSENSE accessory for temperature/humidity monitoring and dry contact interface.



Specifications

Models	PDU3VSR3L1520, PDU3VSR10L1520
Voltage	208V (3-Phase Input/Single-Phase Output)
Frequency	50/60Hz
Load Capacity	5.7kW
Input Plug	L15-20P
Input Cord Length	PDU3VSR3L1520: 3 ft., PDU3VSR10L1520: 10 ft.
Outlets	24 (21 C13 / 3 C19)
Primary Mounting Option	0U (Vertical) Rackmount
Unit Weight & Dimensions	PDU3VSR3L1520: 10.2 lbs / 70 x 2.20 x 1.73 in., PDU3VSR10L1520: 11.5 lbs / 70 x 2.20 x 1.73 in. <i>See next page for detailed unit measurements.</i>
Certifications	Tested to UL 60950-1 (US & Canada), NOM (Mexico), FCC Class A



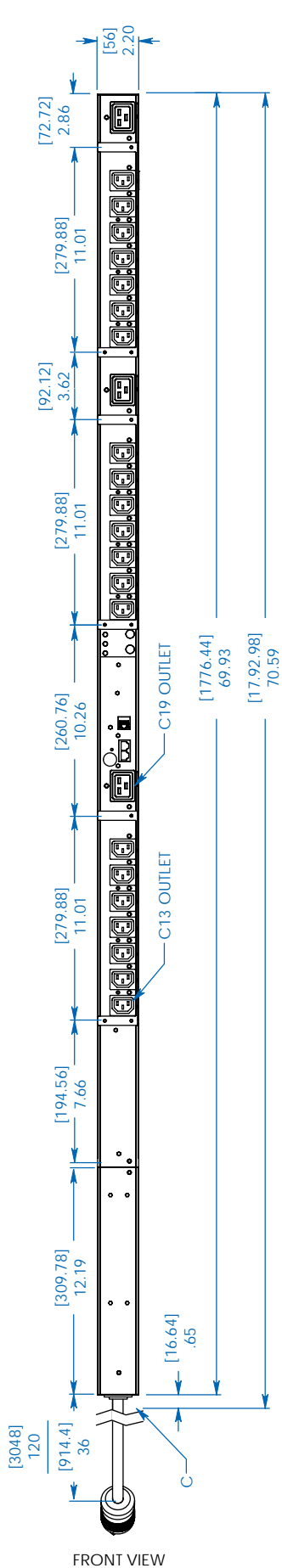
Tripp Lite has a policy of continuous improvement. Specifications are subject to change without notice.

- Distributes power to 24 outlets (7 C13 & 1 C19 per phase)
- Remote monitoring and control via SNMP, Web or Telnet
- Displays load for **any outlet or output phase** in real time
- Perfect for rackmount server, network and telecom applications

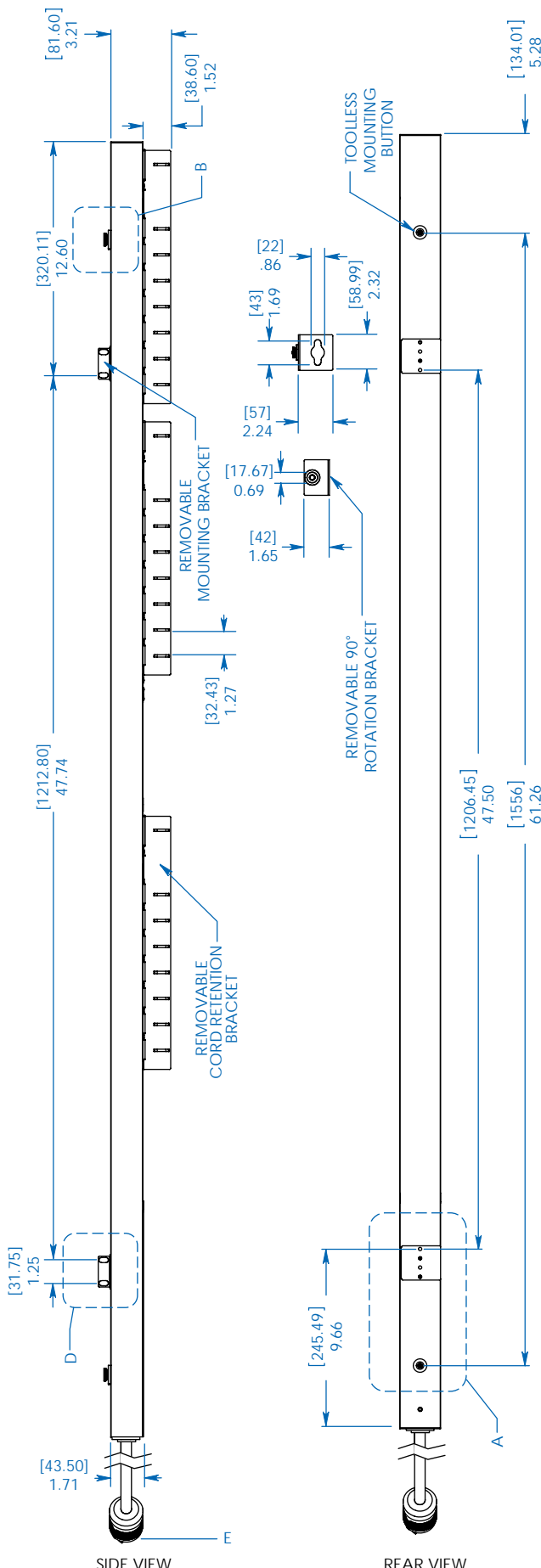
SEE NEXT PAGE FOR DETAILED UNIT MEASUREMENTS



1111 W. 35th Street
Chicago, IL 60609 USA
773.869.1234
www.tripplite.com

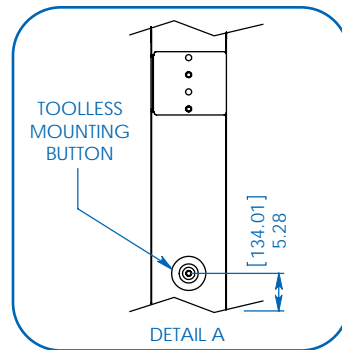


FRONT VIEW

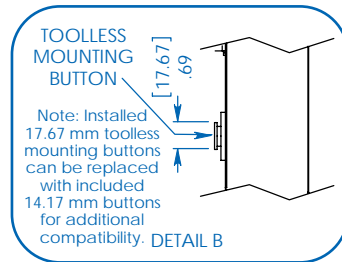


SIDE VIEW

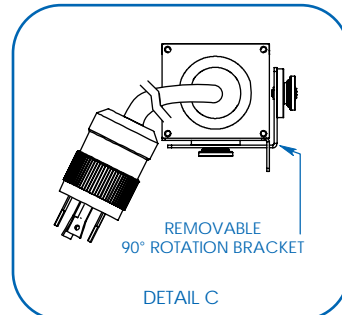
REAR VIEW



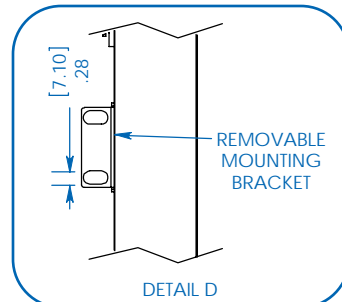
DETAIL A



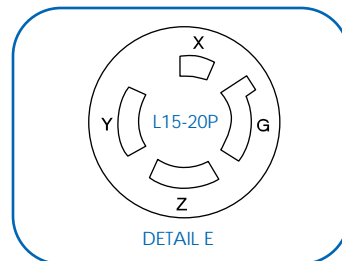
DETAIL B



DETAIL C



DETAIL D



DETAIL E

MODEL:
PDU3VSR3L1520,
PDU3VSR10L1520



1111 W. 35th Street
 Chicago, IL 60609 USA
 773.869.1234
 www.tripplite.com

Dimensions: [mm] INCHES

Tripp Lite has a policy of continuous improvement. Specifications are subject to change without notice.