

4

3

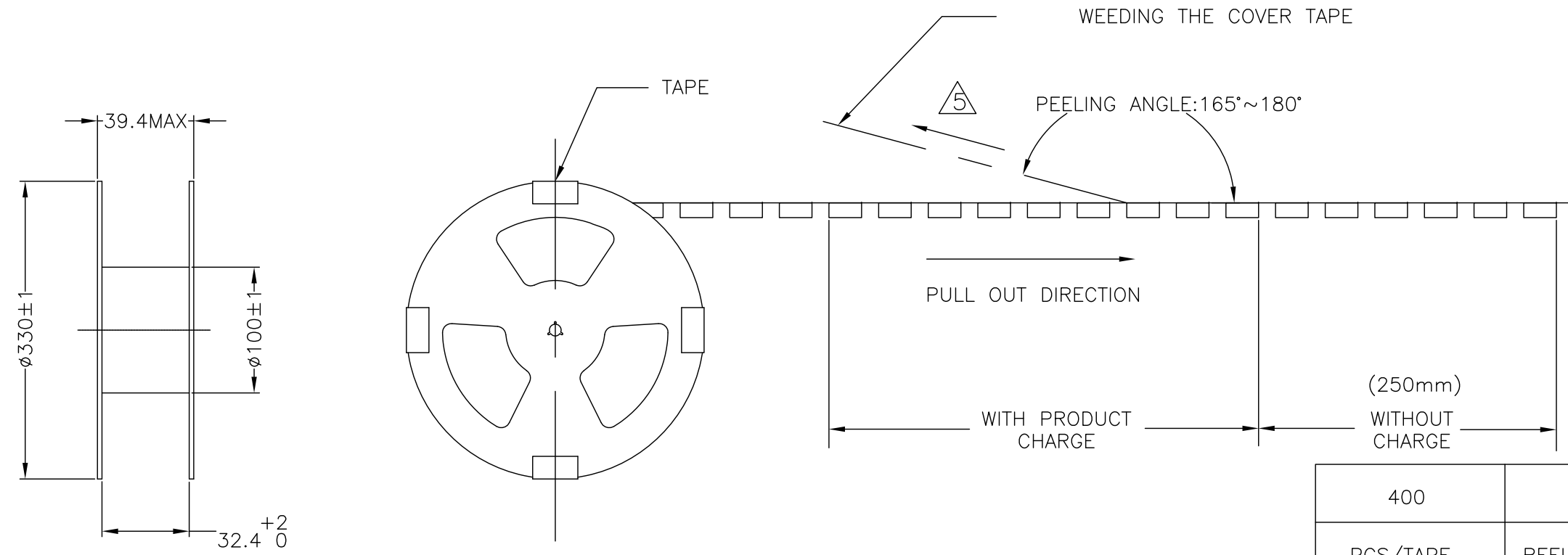
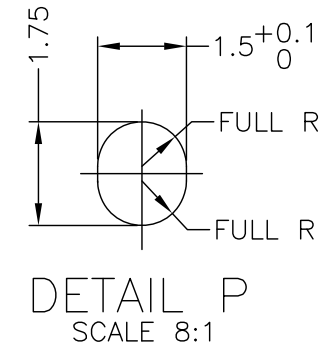
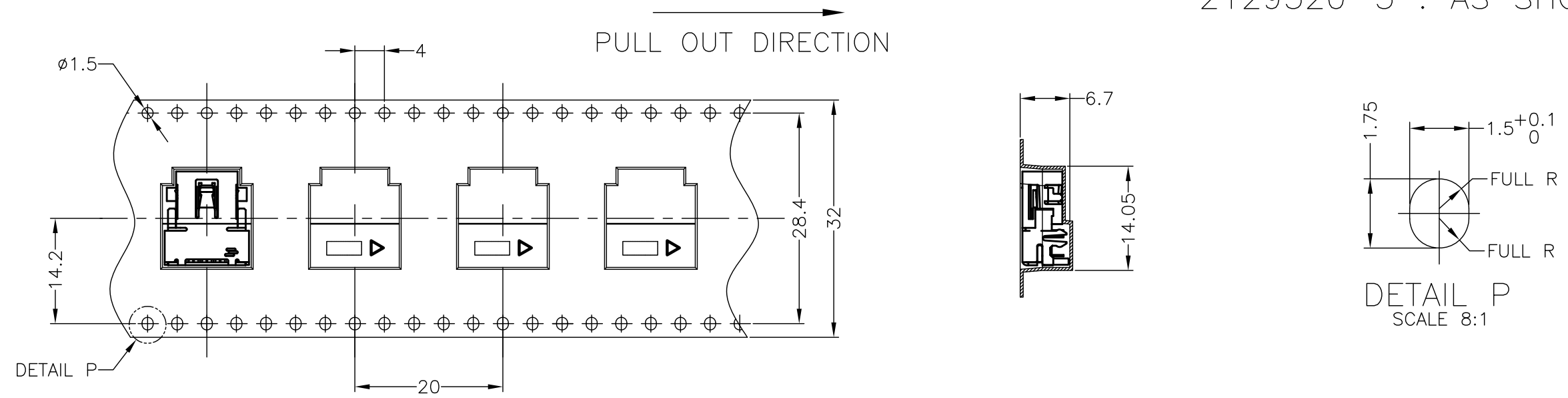
2

1

THIS DRAWING IS UNPUBLISHED. RELEASED FOR PUBLICATION
 © COPYRIGHT - By - ALL RIGHTS RESERVED.

LOC	DIST	REVISIONS					
DW		P	LTR	DESCRIPTION	DATE	DWN	APVD
		D		REVISED (ECR-13-015305)	30SEP13	J.L	H.K

2129320-3 : AS SHOWN



400	8	3200
PCS/TAPE	REELS/CARTON	TOTAL Q'TY

THIS DRAWING IS A CONTROLLED DOCUMENT.		DWN	V.PENG	02SEP2011	 TE Connectivity
DIMENSIONS: mm		CHK	M.CHAO	02SEP2011	
TOLERANCES UNLESS OTHERWISE SPECIFIED: 0 PLC ± 1 PLC ± 2 PLC ± ±0.25 3 PLC ± 4 PLC ± ANGLES ±3		APVD	H.KODAMA	02SEP2011	
MATERIAL: SEE NOTE 1		FINISH		PRODUCT SPEC	
		APPLICATION SPEC		NAME: MINI DISPLAYPORT RECEPTACLE CONNECTOR 4 ROW TH, REVERSED, OFFSET TYPE	
		WEIGHT		SIZE: A3	CAGE CODE: 00779
		CUSTOMER DRAWING		DRAWING NO: 2129320	
				RESTRICTED TO	
				SCALE: NONE	SHEET: 1 OF 4
				REV: D	

4

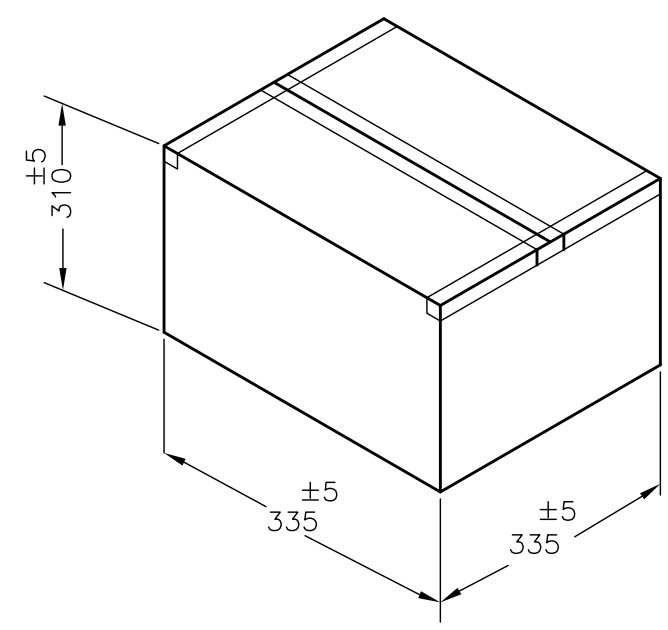
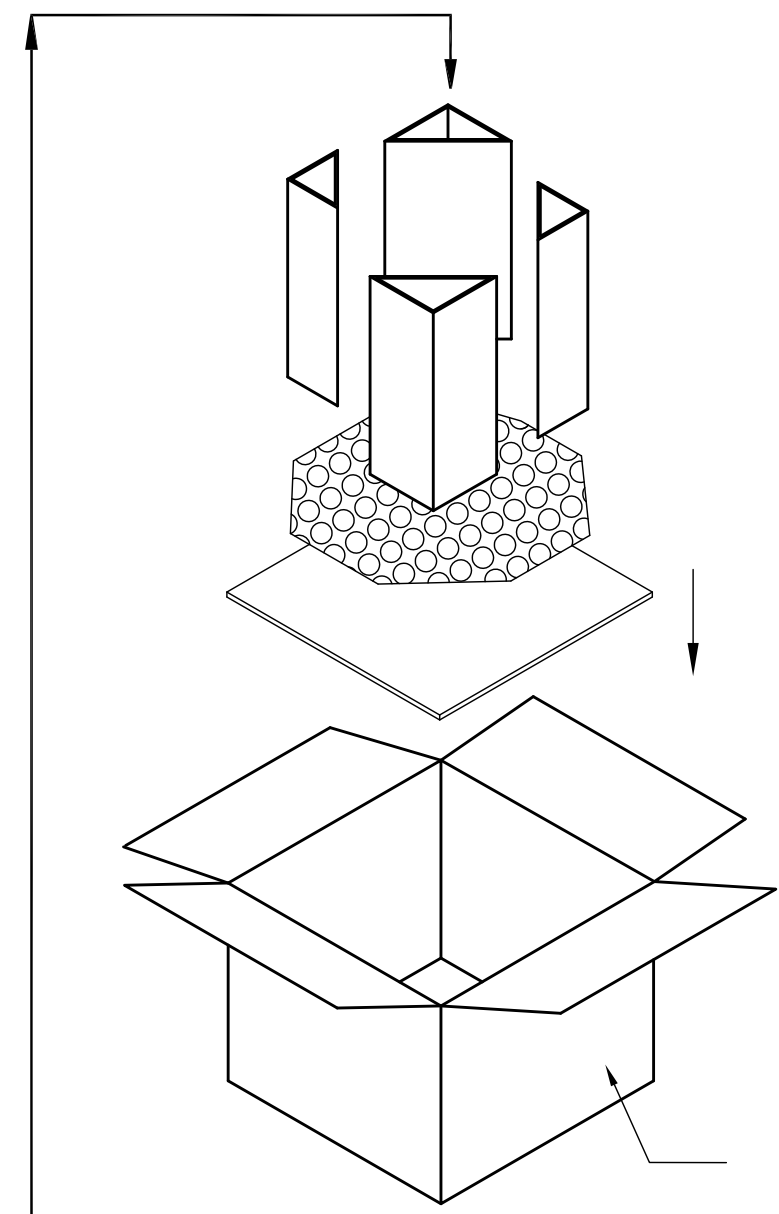
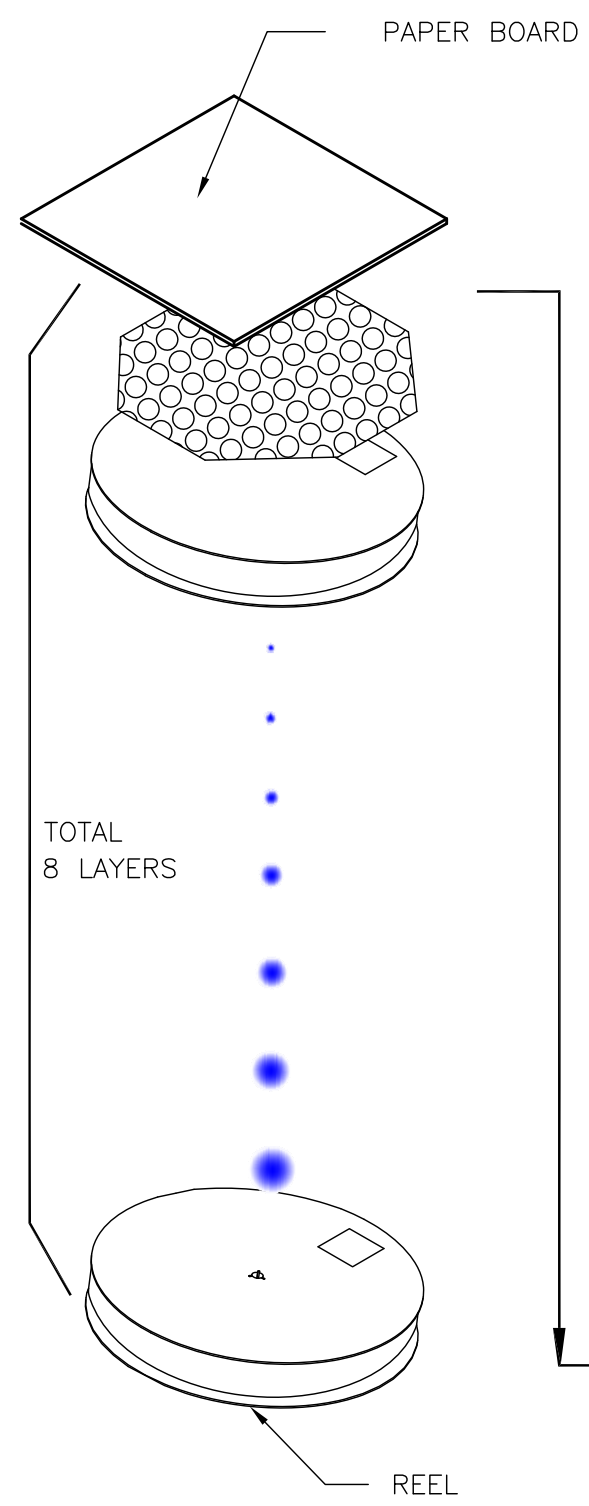
3

2

1

THIS DRAWING IS UNPUBLISHED. RELEASED FOR PUBLICATION - , - .
 © COPYRIGHT - By - ALL RIGHTS RESERVED.

LOC	DIST	REVISIONS			
P	LTR	DESCRIPTION	DATE	DWN	APVD
		SEE SHEET 1	-	-	-



1. PACKING MATERIAL :
 - 1.1 REEL: PS(RoHS) BLUE.
 - 1.2 COVER TAPE: PET,
 - 1.3 SHIPPING CARTON: CORRUGATED FIBER
2. DIMENSION :
 - 2.1 REEL: W=44.5, DIA=330
 - 2.2 SHIPPING CARTON: L=335, W=335, H=310
3. QUANTITY :
 - 3.1 PRIMARY PACKING: 400 PCS/REEL
 - 3.2 SECONDARY PACKING: 8 REELS(3200 PCS)/CARTON
4. WEIGHT :
 - 4.1 NET WEIGHT : 1.23g/PCS, 0.49Kg/REEL, 3.93Kg/CARTON.
 - 4.2 GROSS WEIGHT: 7.83 Kg/CARTON.
5. PEELING RESISTANCE: 0.1~0.7N (10.2gf~71.4gf).
6. PEELING SPEED: 300mm/MINUTES.

THIS DRAWING IS A CONTROLLED DOCUMENT.		DWN	STE TE Connectivity																			
DIMENSIONS: mm		CHK																				
TOLERANCES UNLESS OTHERWISE SPECIFIED:		APVD	NAME																			
<table border="1"> <tr><td>0 PLC</td><td>±</td><td></td></tr> <tr><td>1 PLC</td><td>±</td><td></td></tr> <tr><td>2 PLC</td><td>±</td><td>±0.25</td></tr> <tr><td>3 PLC</td><td>±</td><td></td></tr> <tr><td>4 PLC</td><td>±</td><td></td></tr> <tr><td>ANGLES</td><td>±</td><td>±3</td></tr> </table>		0 PLC	±		1 PLC	±		2 PLC	±	±0.25	3 PLC	±		4 PLC	±		ANGLES	±	±3	PRODUCT SPEC	MINI DISPLAYPORT RECEPTACLE CONNECTOR	
0 PLC	±																					
1 PLC	±																					
2 PLC	±	±0.25																				
3 PLC	±																					
4 PLC	±																					
ANGLES	±	±3																				
MATERIAL		APPLICATION SPEC	4 ROW TH, REVERSED, OFFSET TYPE																			
SEE NOTE 1		WEIGHT	SIZE	RESTRICTED TO																		
		CUSTOMER DRAWING	A3																			
			CAGE CODE																			
			00779																			
			DRAWING NO																			
			C-2129320																			
			SCALE																			
			NONE																			
			SHEET																			
			2 OF 4																			
			REV																			
			D																			

4

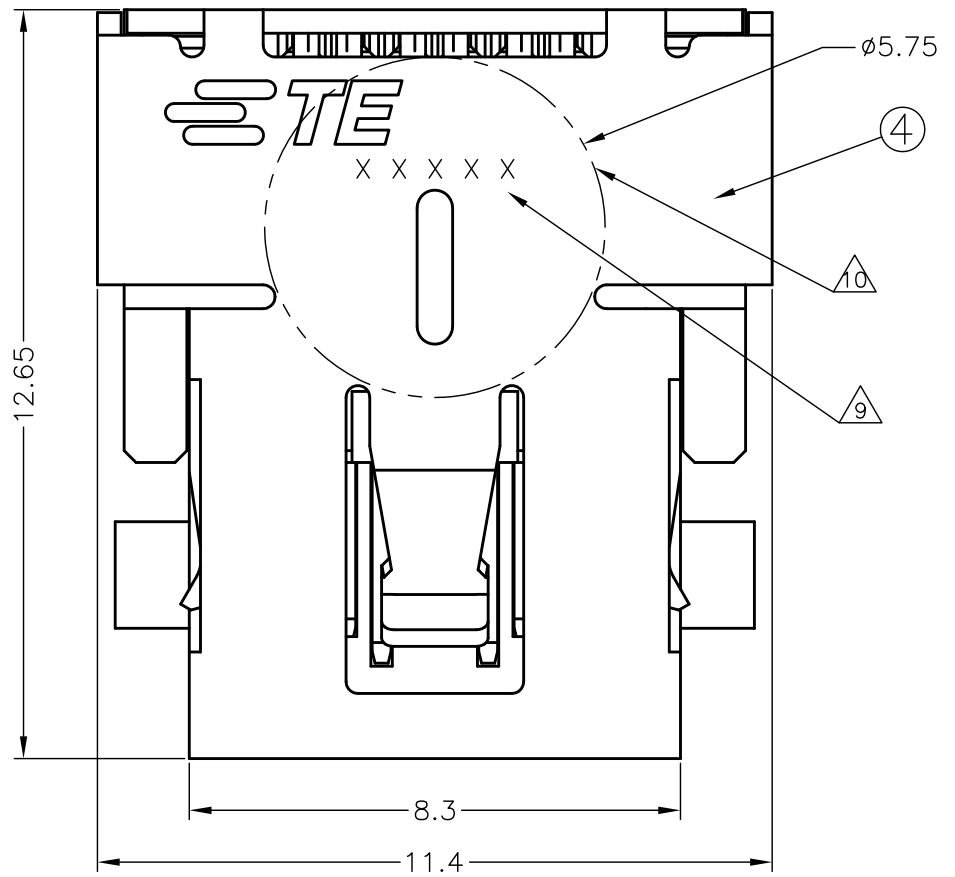
3

2

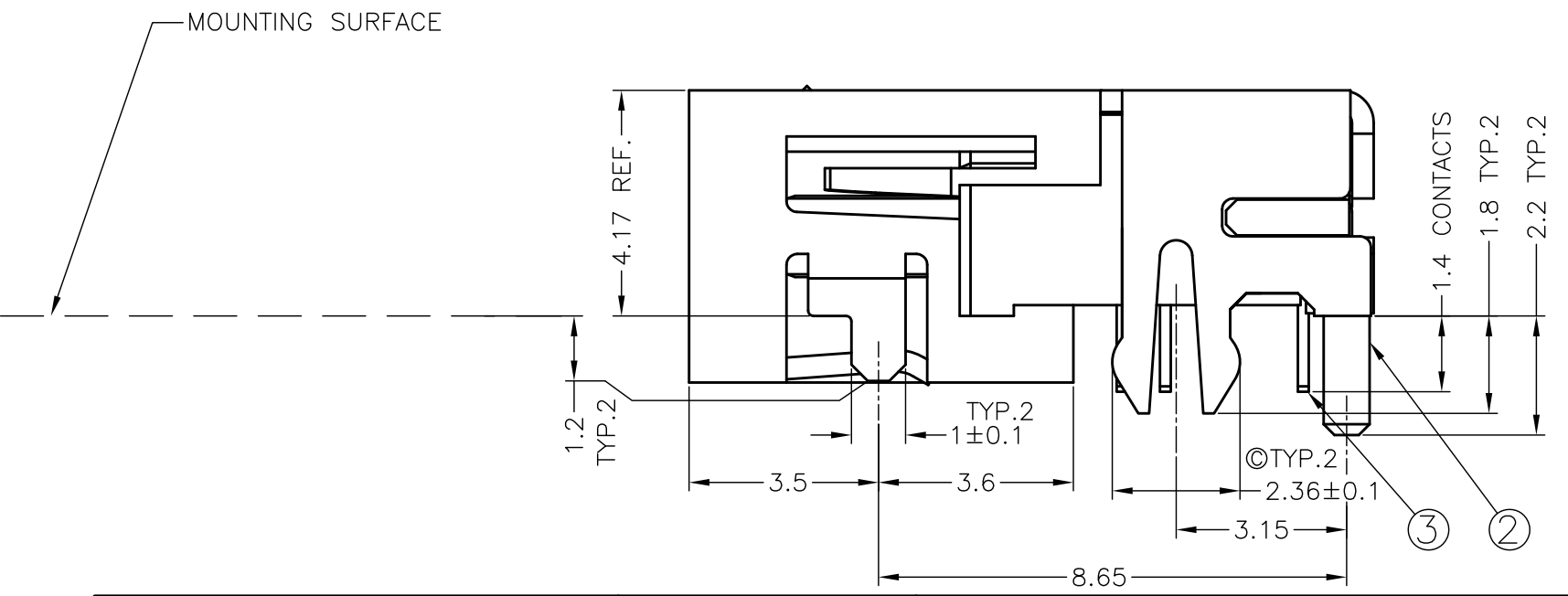
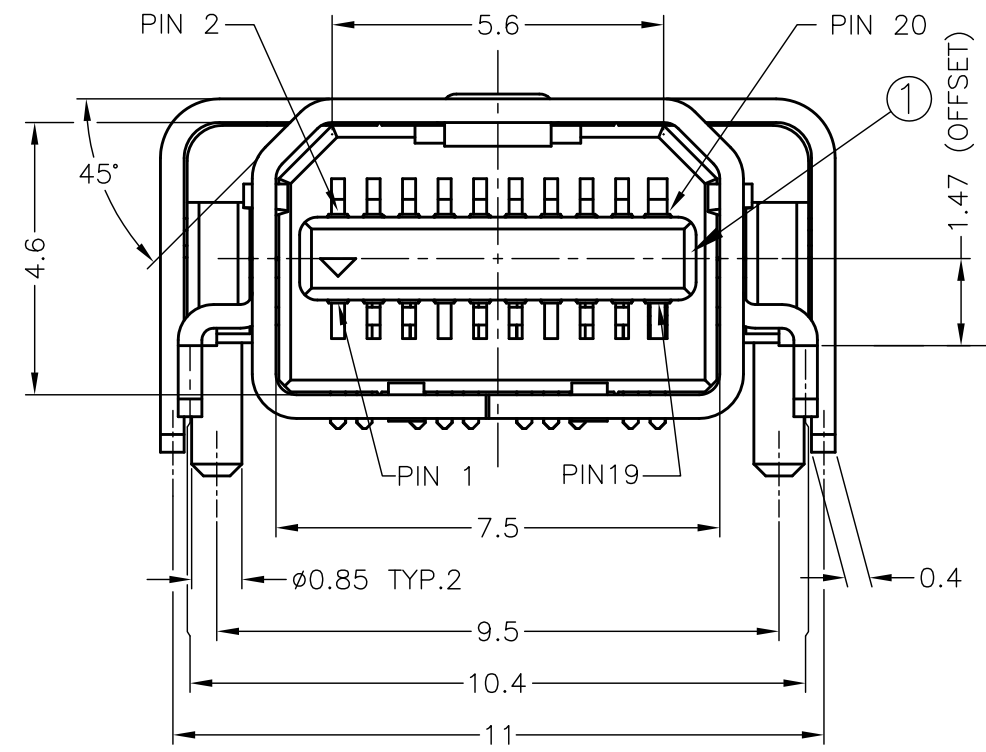
1

THIS DRAWING IS UNPUBLISHED. RELEASED FOR PUBLICATION
 © COPYRIGHT - By - ALL RIGHTS RESERVED.

LOC	DIST	REVISIONS				
P	LTR	DESCRIPTION	DATE	DWN	APVD	
DW		SEE SHEET 1	-	-	-	



- △ MATERIAL:
- ① HOUSING: HIGH TEMPERATURE THERMAL PLASTIC, BLACK, UL94V-0.
 - ② TINE PLATE: HIGH TEMPERATURE THERMAL PLASTIC, BLACK, UL94V-0.
 - ③ CONTACT: COPPER ALLOY.
 - ④ SHELL: STAINLESS STEEL.
- △ FINISH:
- CONTACT:
- CONTACT AREA: Au PLATING 0.38 um
 - SOLDER TAIL AREA: MATTE TIN PLATING
 - UNDER PLATING: NICKEL PLATING OVERALL
- SHELL:
- MATTE TIN PL. ALL OVER
 - NICKEL UNDERPLATING ALL OVER
- △ DATE CODE
- △ PICK & PLACE VACUUM AREA
11. LOW HALOGEN SPECIFICATION
 CHLORINE(Cl) : 900 ppm MAX.
 BROMINE(Br) : 900 ppm MAX.

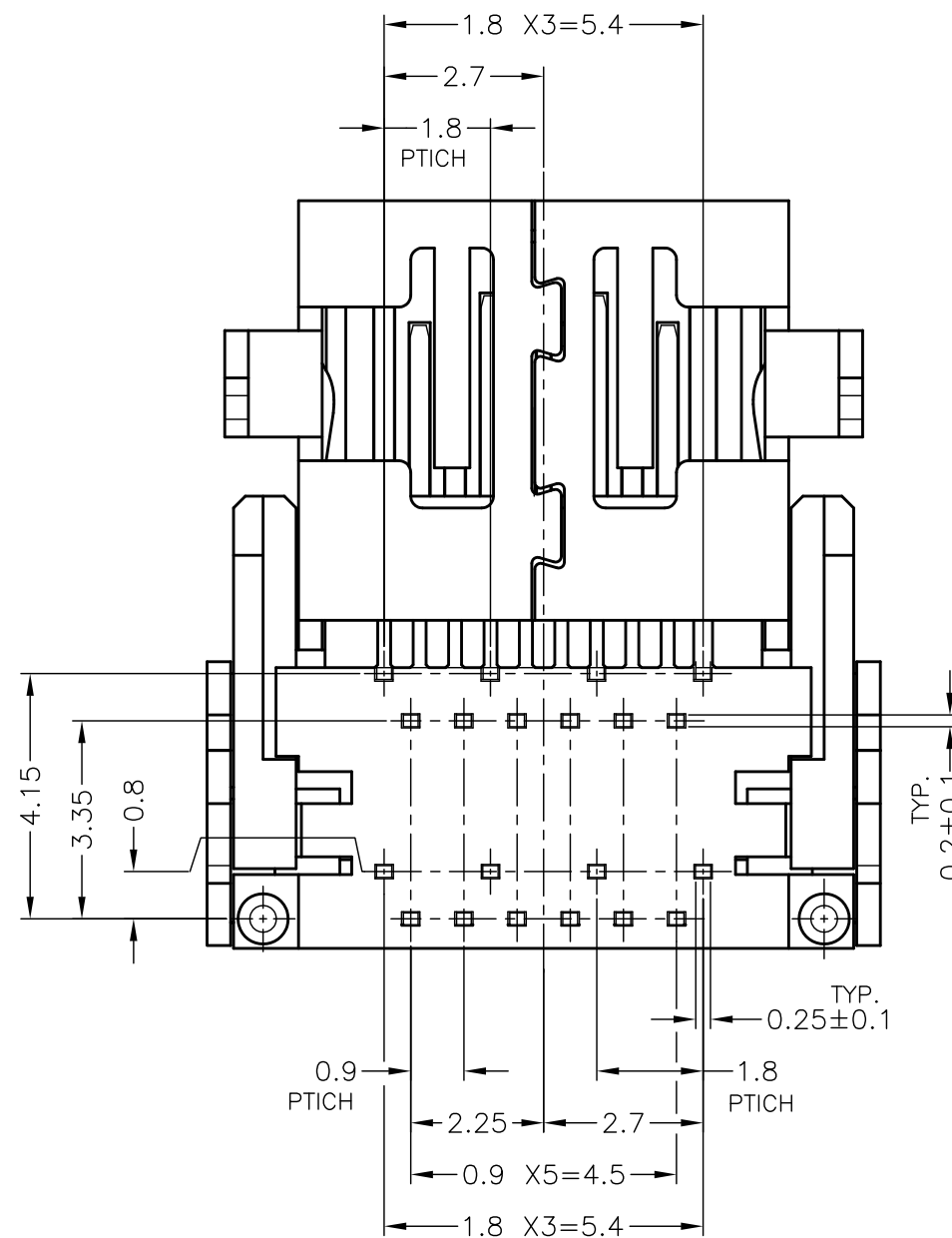
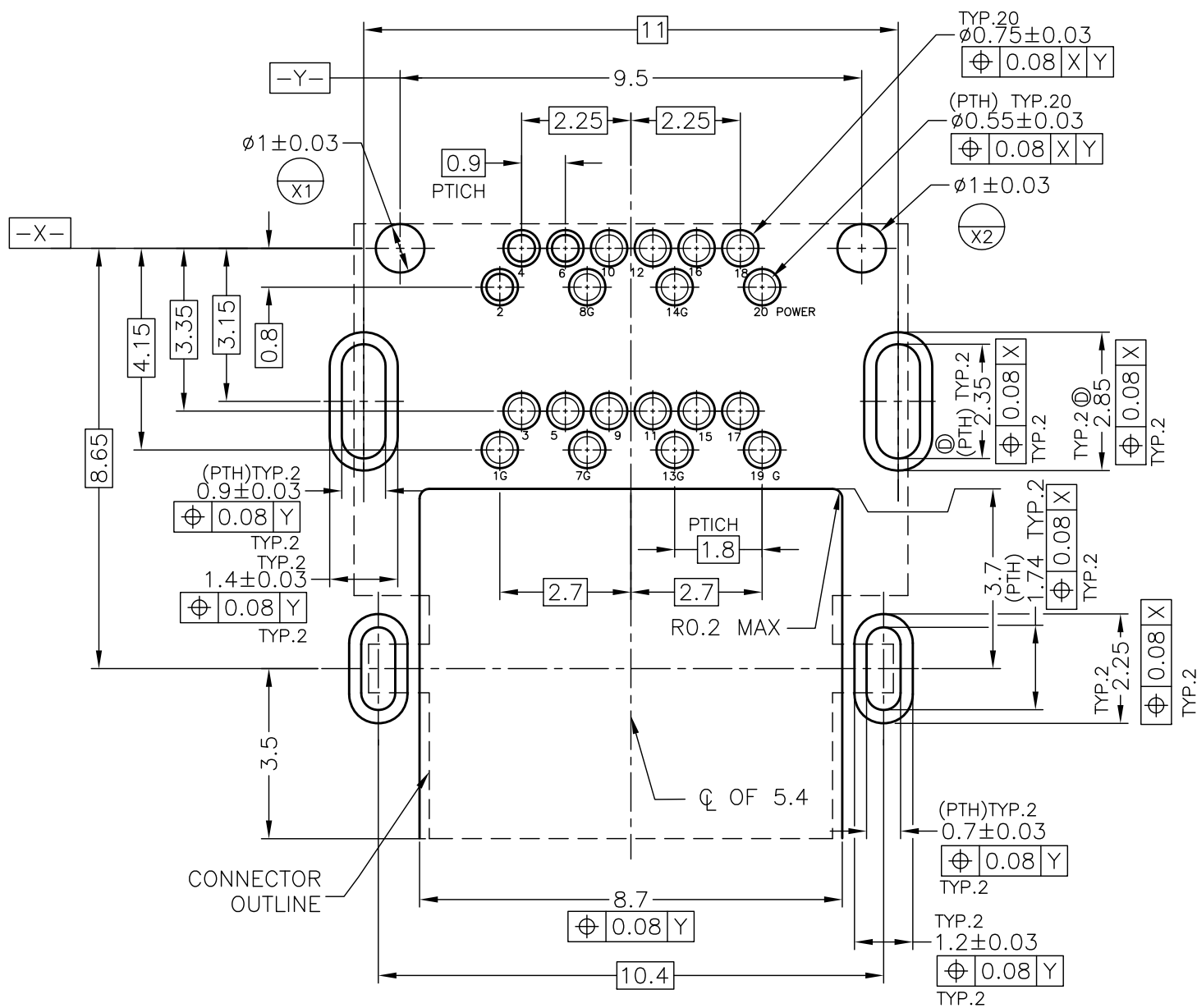


↑
VIEW A

THIS DRAWING IS A CONTROLLED DOCUMENT.		DWN	TE Connectivity													
DIMENSIONS: mm		CHK														
TOLERANCES UNLESS OTHERWISE SPECIFIED:		APVD	NAME													
<table border="1"> <tr><td>0 PLC</td><td>±</td></tr> <tr><td>1 PLC</td><td>±</td></tr> <tr><td>2 PLC</td><td>±</td></tr> <tr><td>3 PLC</td><td>±</td></tr> <tr><td>4 PLC</td><td>±</td></tr> <tr><td>ANGLES</td><td>±3</td></tr> </table>		0 PLC	±	1 PLC	±	2 PLC	±	3 PLC	±	4 PLC	±	ANGLES	±3	PRODUCT SPEC	MINI DISPLAYPORT RECEPTACLE CONNECTOR	
0 PLC	±															
1 PLC	±															
2 PLC	±															
3 PLC	±															
4 PLC	±															
ANGLES	±3															
MATERIAL		APPLICATION SPEC	4 ROW TH, REVERSED, OFFSET TYPE													
FINISH		WEIGHT	SIZE	RESTRICTED TO												
SEE NOTE 7	SEE NOTE 8	CUSTOMER DRAWING	A3 00779													
			DRAWING NO													
			C-2129320													
			SCALE	SHEET												
			8:1	3 of 4												
			REV	D												

THIS DRAWING IS UNPUBLISHED. RELEASED FOR PUBLICATION
 © COPYRIGHT - By - ALL RIGHTS RESERVED.

LOC	DIST	REVISIONS				
P	LTR	DESCRIPTION	DATE	DWN	APVD	
-	-	SEE SHEET 1	-	-	-	



REFERENCE PCB LAYOUT
 MOUNTING SIDE VIEW (THICKNESS=1.2±0.1)
 TOLERANCE: ±0.05

THIS DRAWING IS A CONTROLLED DOCUMENT.		DWN		TE Connectivity	
DIMENSIONS: mm		TOLERANCES UNLESS OTHERWISE SPECIFIED: ±0.25		NAME	
MATERIAL		FINISH		MINI DISPLAYPORT RECEPTACLE CONNECTOR 4 ROW TH, REVERSED, OFFSET TYPE	
CUSTOMER DRAWING		SCALE 8:1		SHEET 4 OF 4	
SIZE A3		CAGE CODE 00779		DRAWING NO. 2129320	
		RESTRICTED TO		REV D	