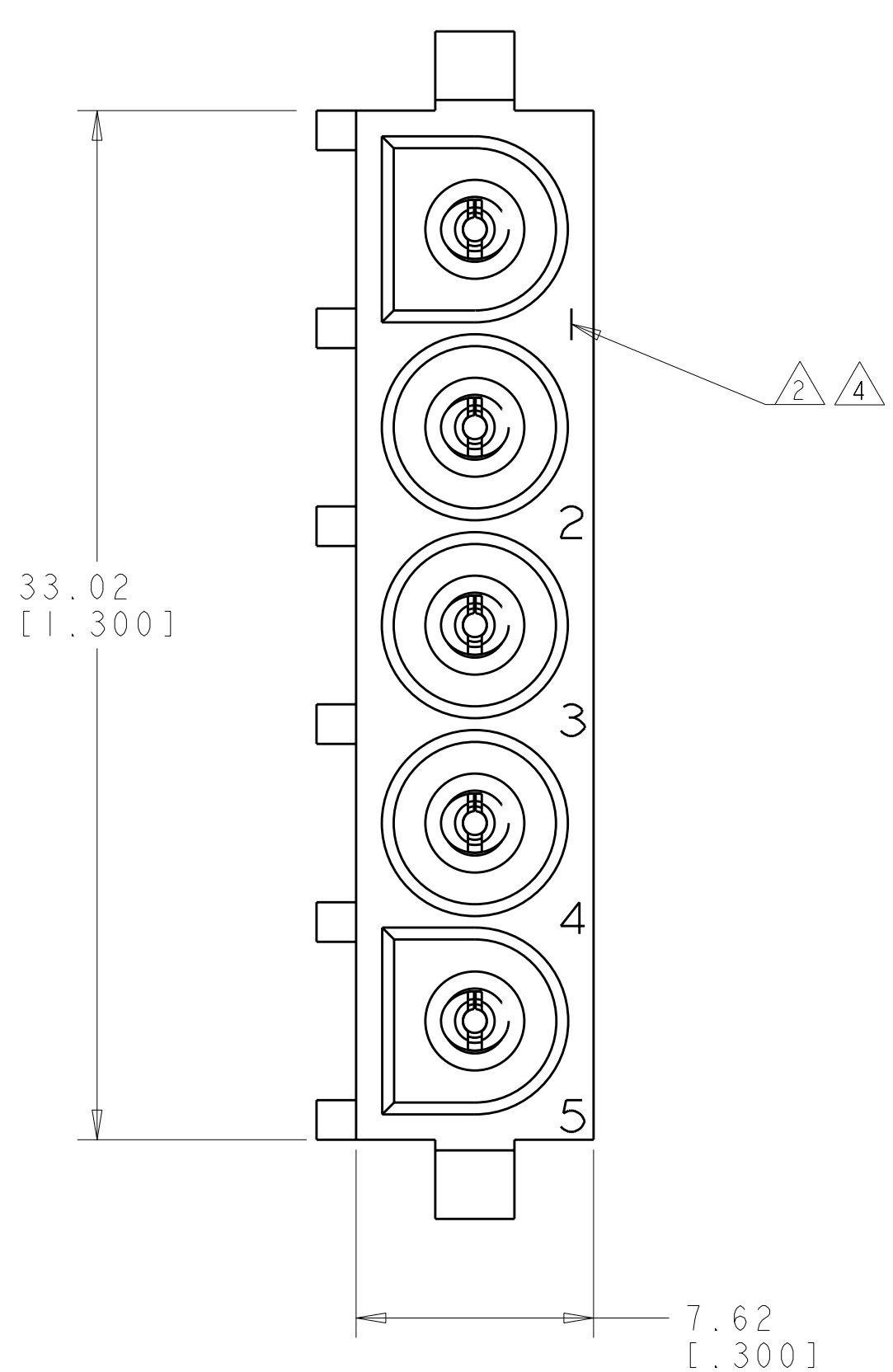
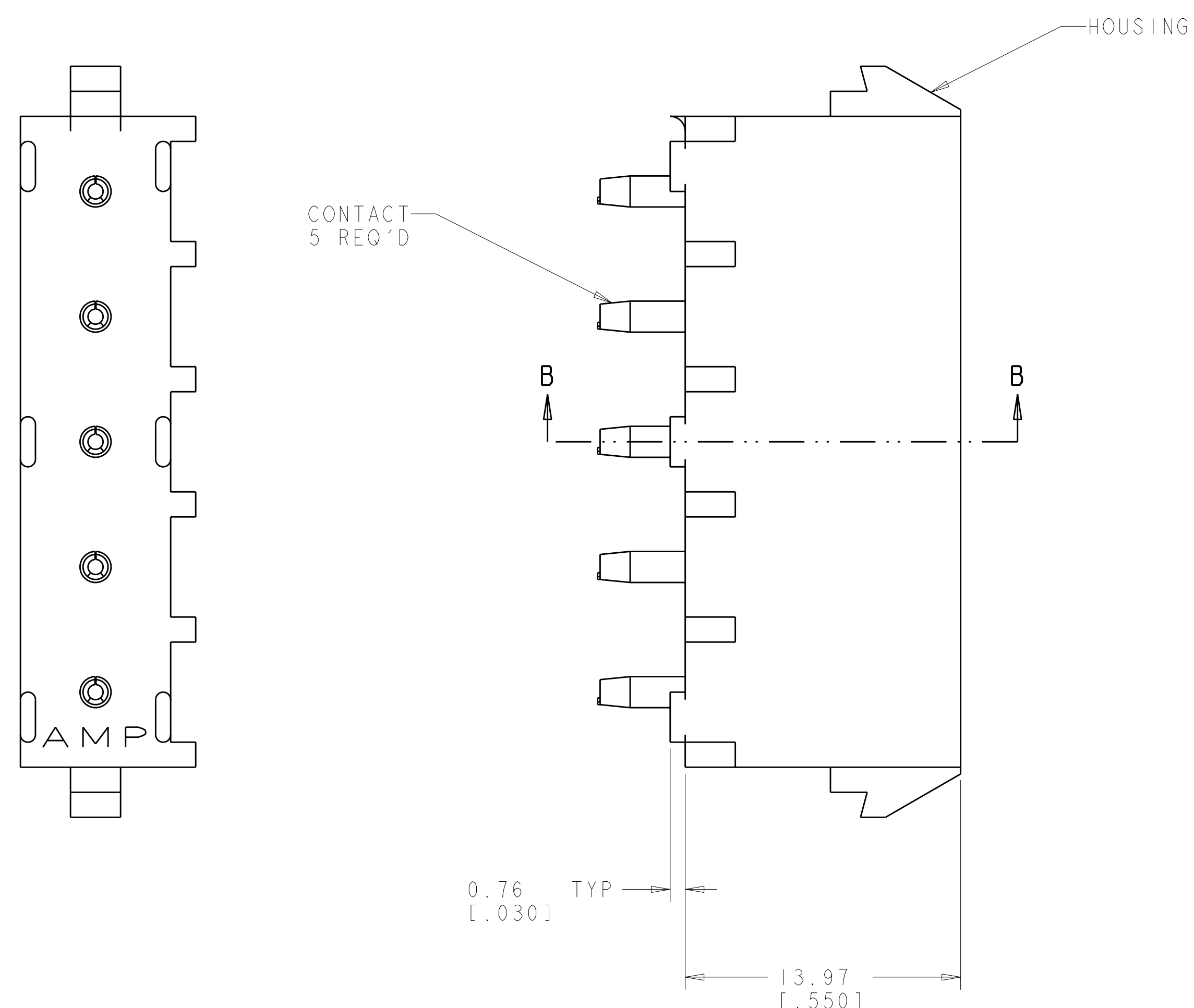
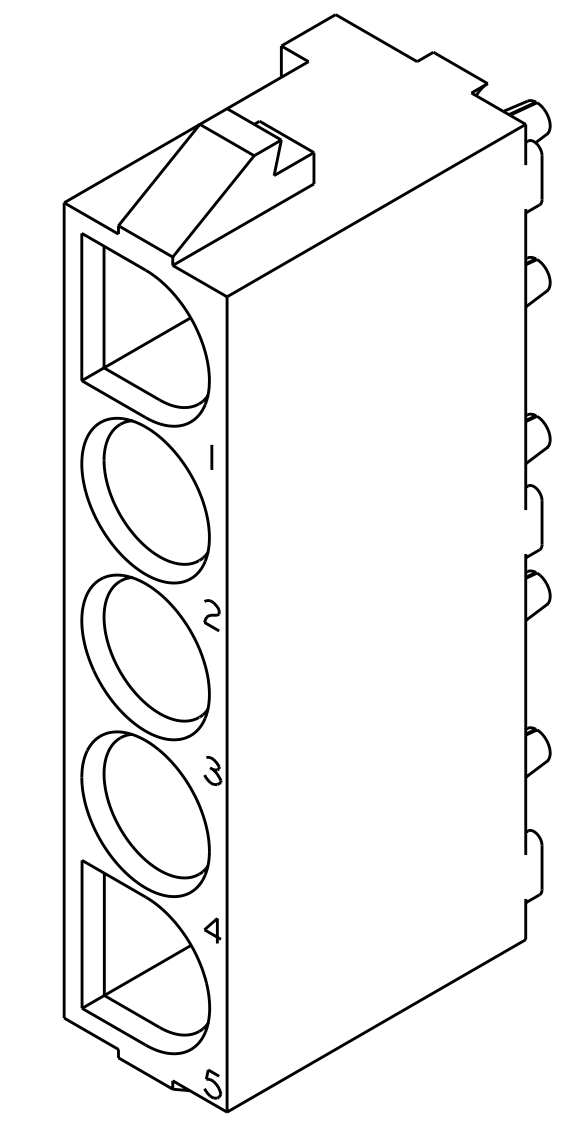


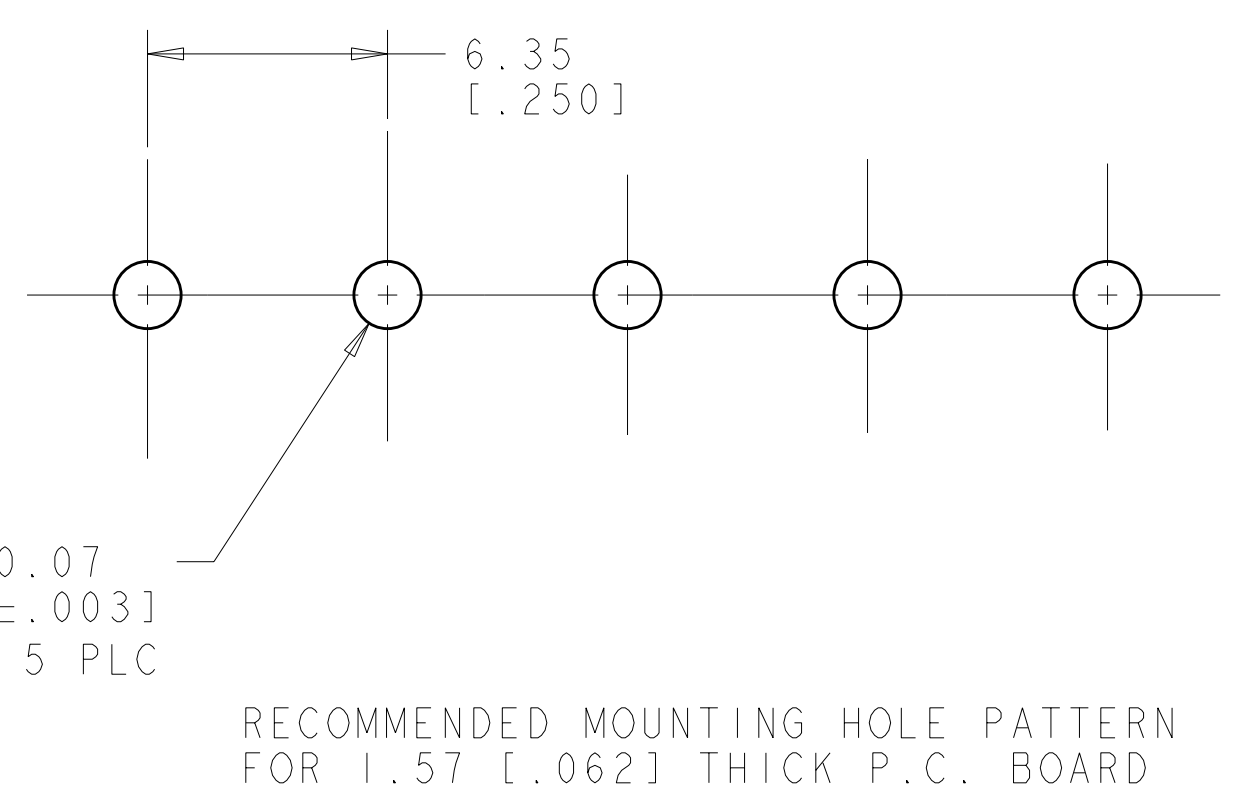
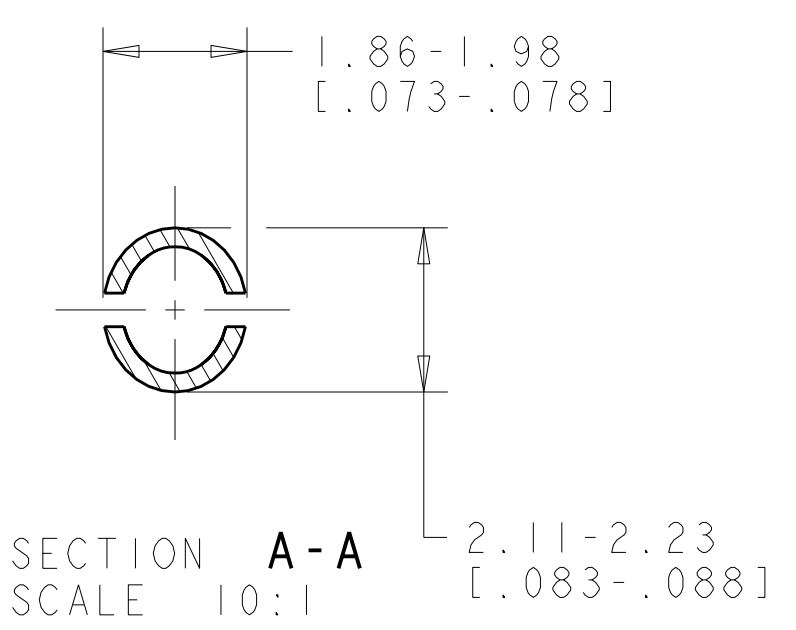
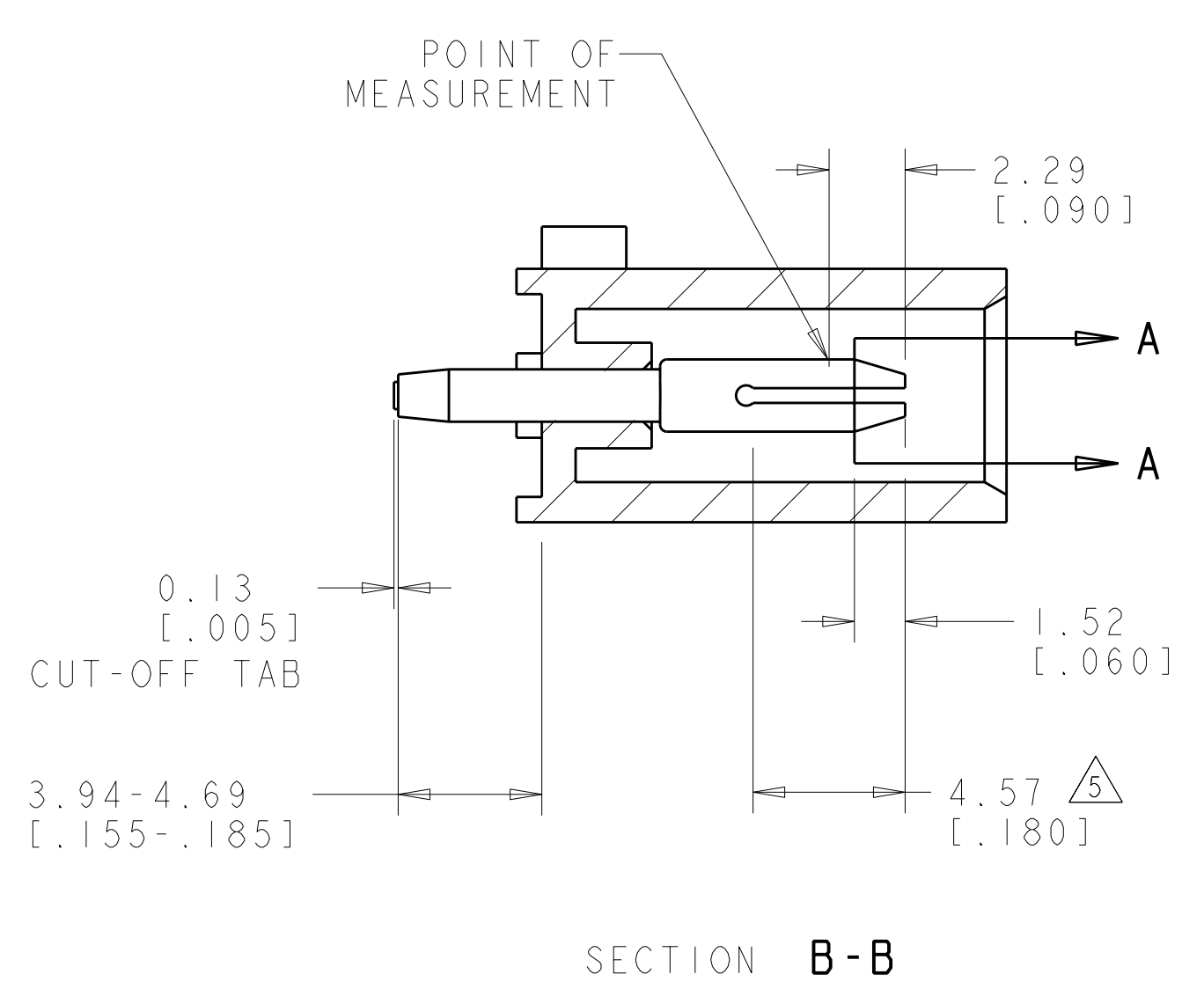
LOC	DIST	REV	DATE	BY	CHK	APPD
CM	00	0	01MAY04	KW	SR	
		01	27MAY05	KW	SR	
		02	11DEC09	KK	AEG	



- 1. PARTS COMPLY TO AMP SOLDERABILITY SPECIFICATION 109-11-3.
- 2. CIRCUIT IDENTIFICATION CHARACTERS ARE ADJACENT TO THE INDICATED CAVITIES, BUT LOCATION AND ORIENTATION MAY DIFFER FROM PRINT.
- 3. DIMENSIONS IN BRACKETS ARE IN INCHES.
- 4. IDENTIFICATION WILL APPEAR AT CIRCUIT NO. 1, OTHERS OPTIONAL.
- 5. CONTACT IS PLATED WITH 0.00127 [0.00050] NICKEL, THEN 0.000075 [0.00030] GOLD OVER CONTACT LENGTH INDICATED AND MATTE TIN ON SOLDER TAIL END.
- 6. OBSOLETE PARTS: OBSOLETE CIS STREAMLINING PER D.RENAUD/D.SINISI



SCALE 4:1



	PIN CONTACT MATERIAL AND FINISH	HOUSING MATERIAL AND COLOR	PART NUMBER
6	PHOSPOR BRONZE, GOLD 5	NYLON, UL94V-2, NATURAL	1586134-2
	PHOSPOR BRONZE, PRE-TIN	NYLON, UL94V-2, NATURAL	1586134-1



DIMENSIONS: mm [INCHES] TOLERANCES UNLESS OTHERWISE SPECIFIED: 9 PLC ± 1 PLC ±0.13 (.005) 5 PLC ± 4 PLC ± ANGLES 40° 30'		DWN R. WHITAKER 07MAY04 CHK S. RIDGILL 07MAY04 APPD S. RIDGILL 07MAY04 NAME PRODUCT SPEC APPLICATION SPEC SIZE CAGE CODE DRAWING NO. RESTRICTED TO WEIGHT FINISH SEE TABLE CUSTOMER DRAWING	
MATERIAL SEE TABLE FINISH SEE TABLE		Tyco Electronics Corporation Harrisburg, PA 17105-3608 PIN HEADER ASSEMBLY, 5 CIRCUIT, NO DRAIN HOLES, UNIVERSAL MATE-N-LOK™ A1 00779 C=1586134 SCALE 5:1 SHEET 1 OF 1 REV 02	